





LP-M

The 3D fiber laser system is especially suited for metal processing.



Information about the laser marking system series LP-M

Highlights

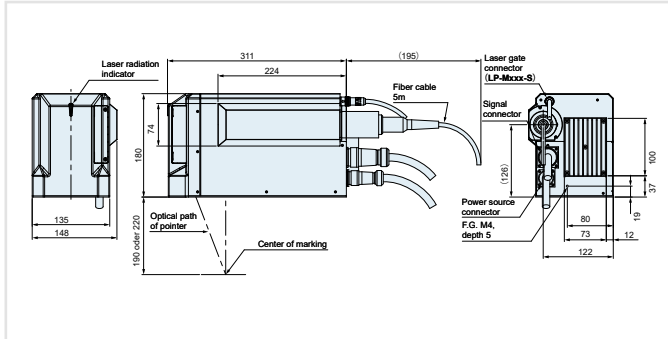
3D	3D marking		Automatic distance measuring		High degree of protection IP64
	Integrated z-axis control		Measuring laser power		

Specifications

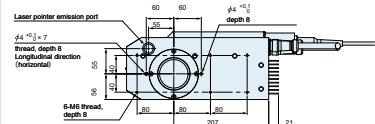
Model	Item	Standard	Large marking field	Standard	Large marking field	Standard	Large marking field
		LP-M200-LS1	LP-M205-LS1	LP-M500-LS1	LP-M505-LS1	LP-MA00-LS1	LP-MA05-LS1
Marking laser		Fiber laser $\lambda = 1064\text{nm}$, laser class 4					
Guide laser		Semiconductor $\lambda = 655\text{nm}$, laser class 2, output class 1mW					
Output class		20W		50W		100W	
Marking field		120mm x 120mm	220mm x 220mm	120mm x 120mm	220mm x 220mm	120mm x 120mm	220mm x 220mm
Work distance		190mm	220mm	190mm	220mm	190mm	220mm
3D marking area (Z axis control)		44mm ($\pm 22\text{mm}$)					
Scan method		Galvano scanner					
Scan speed (max.)		12000mm/s					
Line speed (max.)		170m/min					
Workpiece positioning		Stationary and on-the-fly marking					
Fiber cable length		5m					
Net weight	Laser head					12kg	
	Controller	28kg				35kg	
Degree of protection (laser head)		IP64					

Dimensions

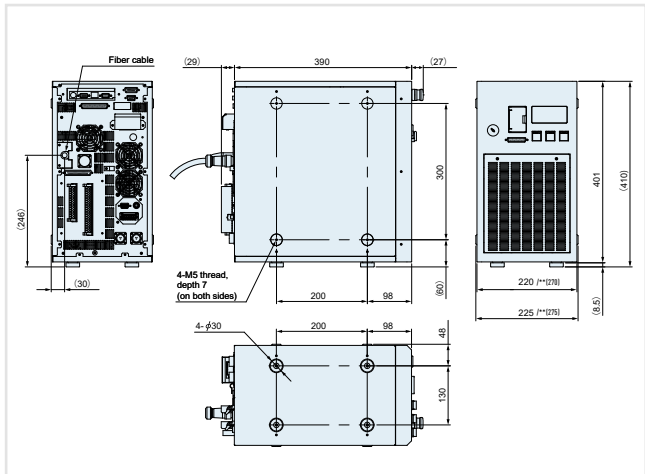
LP-M laser head



Type	Work distance (mm)	Marking field (mm ²)
LP-MX00-LS1-C	190	120 x 120
LP-MX05-LS1-C	220	220 x 220



LP-M / LP-MA controller



* All measurements in mm
** Dimensions for LP-MA Controller

