

LP-RF

The best choice for uncomplicated 2D plastic and metal applications is the easy-to-use 20W fiber laser system.



IN Your Future



Information about the laser marking system series LP-RF

Highlights

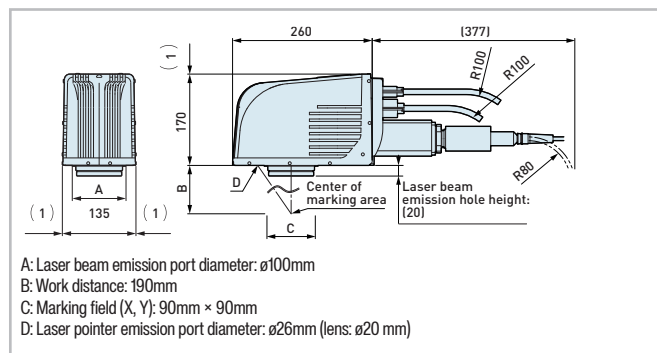
| | | | | | |
|---|------------------------------|---|---------------------------|---|---------------------------------------|
|  | Direct linkage camera |  | Supports PROFINET |  | High degree of protection IP64 |
|  | Removable laser head |  | Marking on-the-fly |  | High noise resistance |

Specifications

| Model | Item | Standard |
|-----------------------------------|------------|--|
| | | LP-RF200P |
| Marking laser | | Fiber laser $\lambda = 1060\text{nm}$, laser class 4 |
| Guide laser | | Semiconductor $\lambda = 655\text{nm}$, laser class 2, output class 1mW |
| Output class | | 20W |
| Marking field | | 90mm x 90mm |
| Work distance | | 190mm |
| System startup time | | 10s |
| Laser excitation time | | 7s |
| Scan method | | Galvano scanner |
| Scan speed (max.) | | 12000mm/s |
| Line speed (max.) | | 240m/min |
| Workpiece positioning | | Stationary and on-the-fly marking |
| Fiber cable length | | 3m |
| Net weight | Laser head | 8kg |
| | Controller | 37kg |
| Degree of protection (laser head) | | IP64 |

Dimensions

LP-RF200P laser head



LP-RF200P controller

