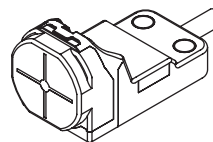
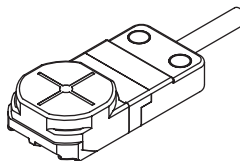
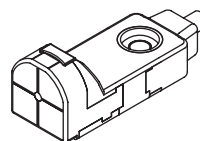
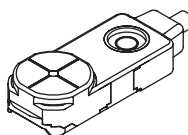
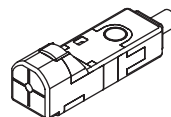
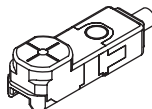
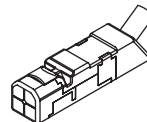
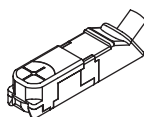


Amplifier Built-in Rectangular-shaped
Inductive Proximity Sensor

GX-F/H Series

USER'S MANUAL



Contents

1. Cautions	3
2. Part Description	4
3. Mounting	5
3-1 Mounting GX-F6 □ and GX-H6 □	5
3-2 Mounting GX-F8 □ and GX-H8 □	6
3-3 Mounting GX-F12 □ and GX-H12 □	7
3-4 Mounting GX-F15 □ and GX-H15 □, GX-FL15 □, GX-HL15 □	8
3-5 Influence of surrounding metal	11
3-6 Mutual interference prevention	12
4. I/O Circuit Diagram	13
5. Specifications	14
5-1 GX-F6 □, GX-H6 □	14
5-2 GX-F8 □, GX-H8 □	15
5-3 GX-F12 □, GX-H12 □	16
5-4 GX-F15 □, GX-H15 □	17
5-5 GX-FL15 □, GX-HL15 □	18
6. Dimensions	20

1. Cautions

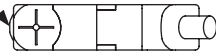
 WARNING
--

- | |
|--|
| <ul style="list-style-type: none">● Never use this product as a sensing device for personnel protection.● In case of using devices for personnel protection, use products which meet laws and standards, such as OSHA, ANSI or IEC etc., for personnel protection applicable in each region or country. |
|--|
- This product has been developed / produced for industrial use only.
 - Make sure to check the wiring as wrong wiring will damage or burn the product.
 - Make sure to carry out wiring in the power supply off condition.
 - Take care that wrong wiring will damage the sensor.
 - Verify that the supply voltage variation is within the rating.
 - If power is supplied from a commercial switching regulator, ensure that the frame ground (F.G.) terminal of the power supply is connected to an actual ground.
 - In case noise generating equipment (switching regulator, inverter motor, etc.) is used in the vicinity of this product, connect the frame ground (F.G.) terminal of the equipment to an actual ground.
 - Do not run the wires together with high-voltage lines or power lines, or put them in the same raceway. This can cause malfunction due to induction.
 - Do not use during the initial transient time (0.5 sec.) after the power supply is switched ON.
 - Extension up to total 100m is possible with a 0.3mm², or more of conductor cross-section area cable.
 - Make sure that stress by forcible bend or pulling is not applied to the sensor cable joint.
 - This product is suitable for indoor use only.
 - Do not use this sensor in places having excessive vapor, dust, etc., or where it may come in contact with corrosive gas, etc.
 - Take care that the sensor does not come in contact with oil, grease, organic solvents such as thinner, etc., strong acid, or alkaline.
 - This product cannot be used in an environment containing inflammable or explosive gasses.
 - Never disassemble or modify the product.

2. Part Description

Front sensing GX-F6□

Operation indicator
(Orange)
Lights up when the
output is ON.



Top sensing GX-H6□

Operation indicator
(Orange)
Lights up when the
output is ON.



Front sensing GX-F8□

Operation indicator
(Orange)
Lights up when the
output is ON.



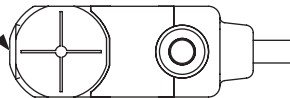
Top sensing GX-H8□

Operation indicator
(Orange)
Lights up when the
output is ON.



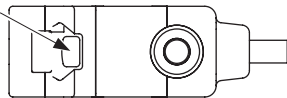
Front sensing GX-F12□

Operation indicator
(Orange)
Lights up when the
output is ON.



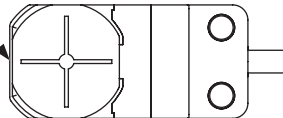
Top sensing GX-H12□

Operation indicator
(Orange)
Lights up when the
output is ON.



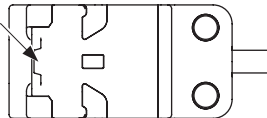
Front sensing GX-F15□ / GX-FL15□

Operation indicator
(Orange)
Lights up when the
output is ON.



Top sensing GX-H15□ / GX-HL15□

Operation indicator
(Orange)
Lights up when the
output is ON.

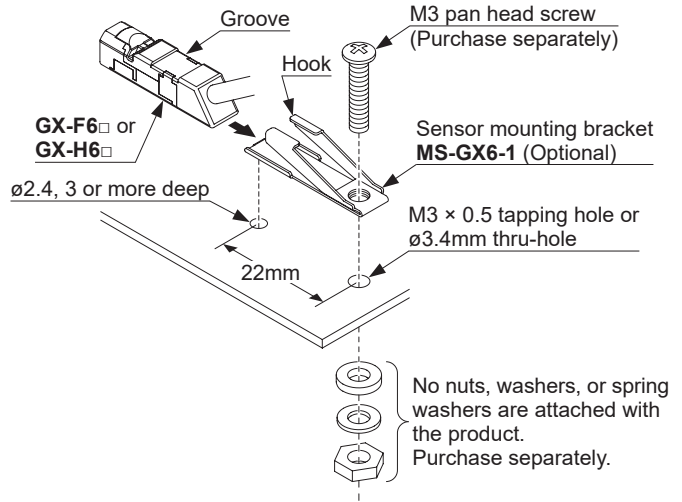


3. Mounting

3-1 Mounting GX-F6□ and GX-H6□

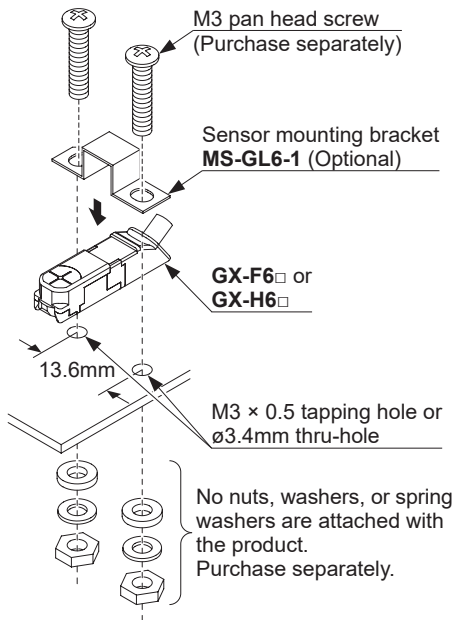
<In case of using sensor mounting bracket MS-GX6-1 (optional)>

1. Insert the GX-F6□ and GX-H6□ into the sensor mounting bracket MS-GX6-1 as follows.
2. Push the sensor until the hook of the sensor mounting bracket MS-GX6-1 catches the groove of the sensor.
3. Mount the sensor mounting bracket MS-GX6-1 with a M3 pan head screw.



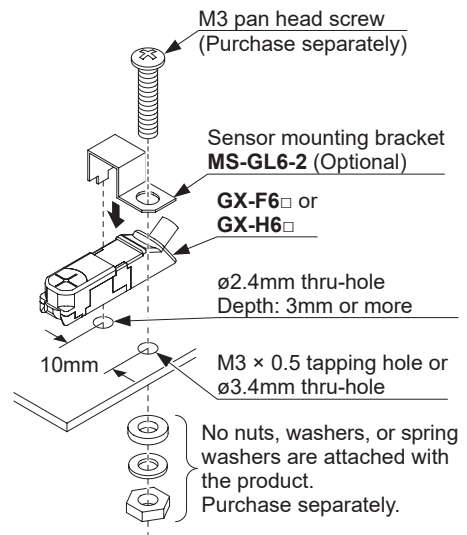
<In case of using sensor mounting bracket MS-GL6-1 (optional)>

- To mount the sensor with a nut, the mounting hole diameter should be ∅3.4mm.



<In case of using sensor mounting bracket MS-GL6-2 (optional)>

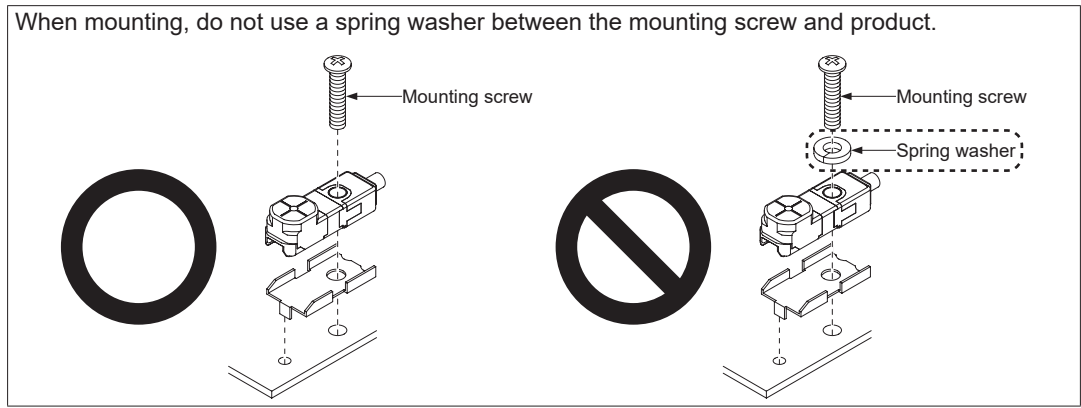
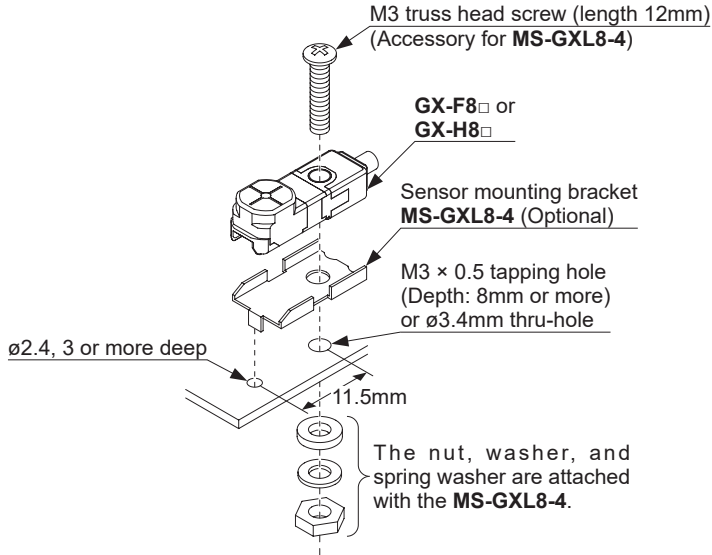
- To mount the sensor with a nut, the mounting hole diameter should be ∅3.4mm.



3-2 Mounting GX-F8□ and GX-H8□

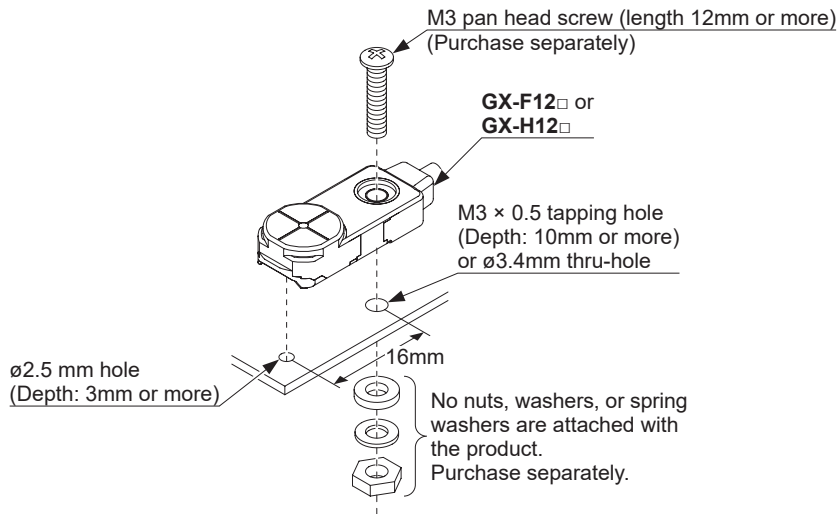
<In case of using sensor mounting bracket MS-GXL8-4 (optional)>

- Make sure to use a M3 truss head screw (length: 12mm) (accessory). The tightening torque should be 0.7N·m or less.
- To mount the sensor with a nut, the mounting hole diameter should be $\varnothing 3.4\text{mm}$.
- Do not use a flange head screw or a pan head screw.

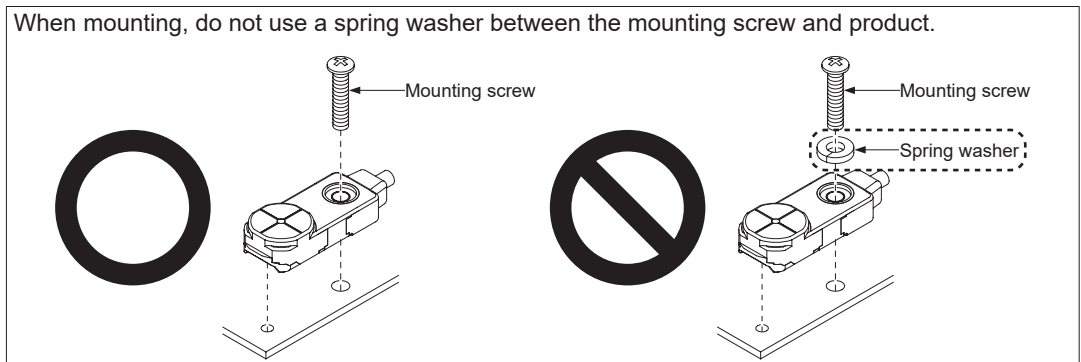


3-3 Mounting GX-F12□ and GX-H12□

- The tightening torque should be 0.7N·m or less.
- To mount the sensor with a nut, the mounting hole diameter should be $\varnothing 3.4\text{mm}$.
- The hole in which the boss is inserted should be $\varnothing 2.5\text{mm}$ (depth: 3mm or more).

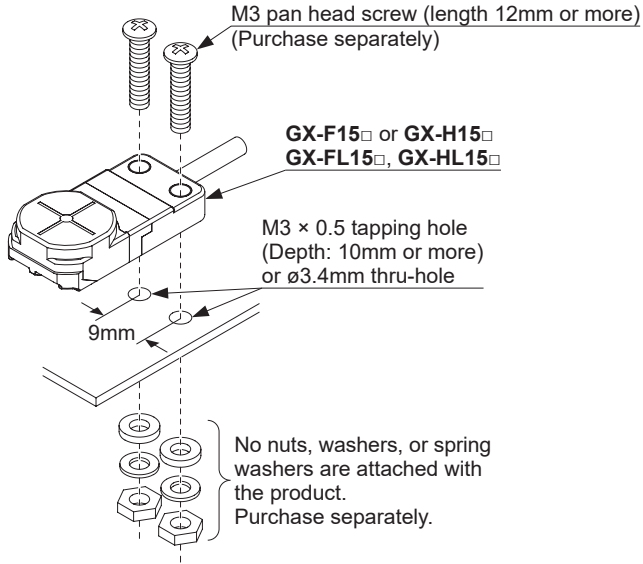


When mounting, do not use a spring washer between the mounting screw and product.

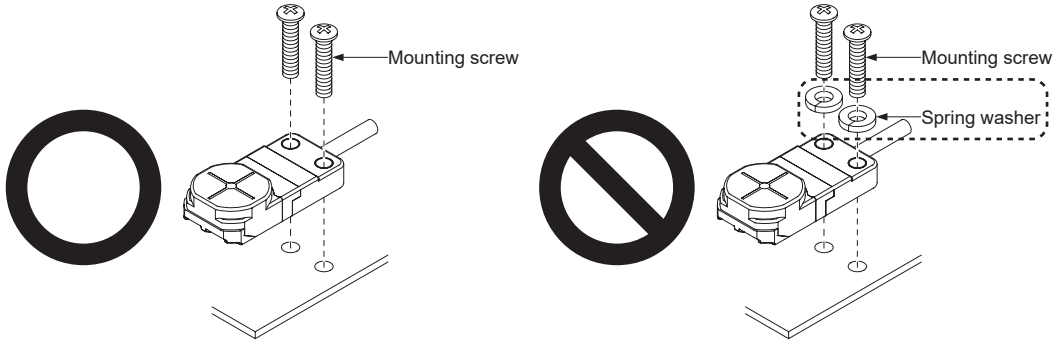


3-4 Mounting GX-F15□ and GX-H15□, GX-FL15□, GX-HL15□

- The tightening torque should be 1N·m or less.
- To mount the sensor with a nut, the mounting hole diameter should be $\varnothing 3.4\text{mm}$.

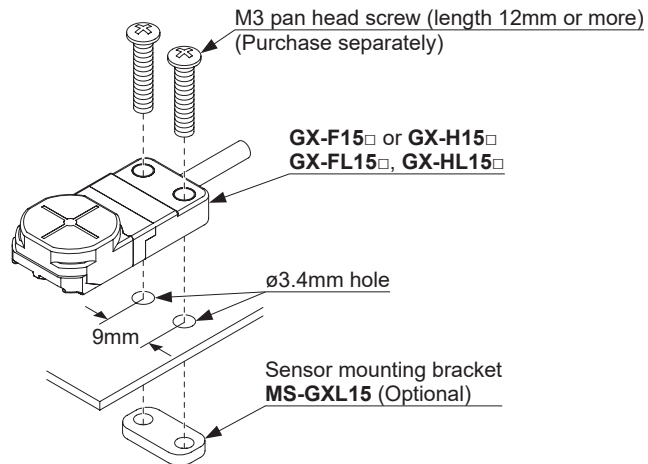


When mounting, do not use a spring washer between the mounting screw and product.

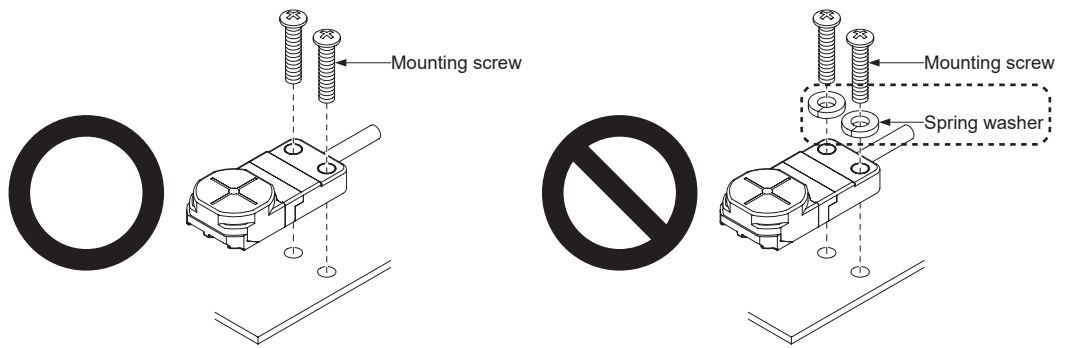


<In case of using spacer MS-GXL15 (optional)>

- The tightening torque should be 1N·m or less.
- The mounting hole diameter should be $\phi 3.4\text{mm}$.

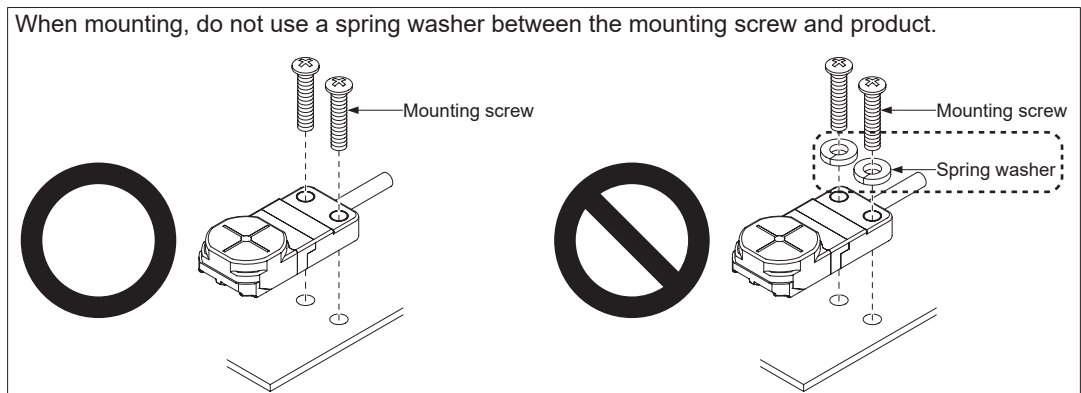
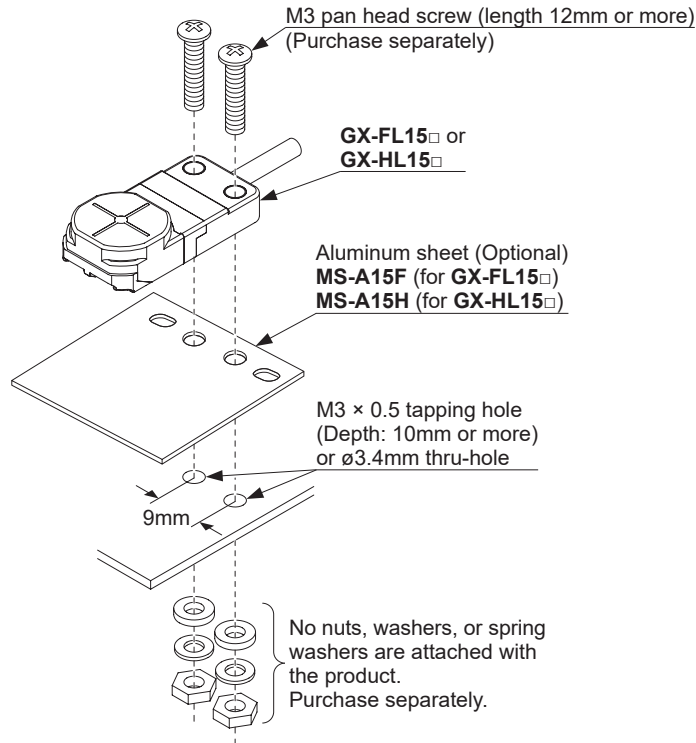


When mounting, do not use a spring washer between the mounting screw and product.



<In case of the long sensing range type **GX-FL15□** or **GX-HL15□**>

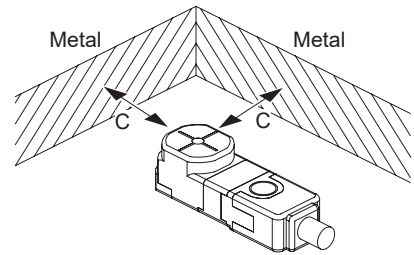
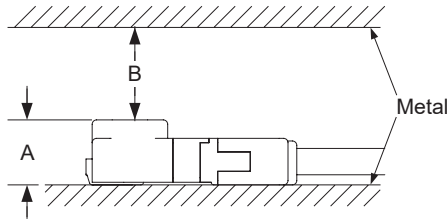
- To mount the long sensing range **GX-FL15□** or **GX-HL15□** on an iron or stainless steel, the enclosed aluminum sheet **MS-A15F** (for **GX-FL15□**), **MS-A15H** (for **GX-HL15□**) (optional), or any other aluminum sheet having a minimum size of 30 × 39.5 × t0.3mm (**GX-FL15□**), 30 × 30 × t0.3mm (**GX-HL15□**), should be inserted between the sensor and the magnetic body.
However, it is not necessary to use the aluminum sheet when mounting on an insulator.
- The tightening torque should be 1N·m or less.
- To mount the sensor with a nut, the mounting hole diameter should be $\varnothing 3.4$ mm.



3-5 Influence of surrounding metal

- When there is a metal near the sensor, keep the minimum separation distance specified below.

Front sensing type

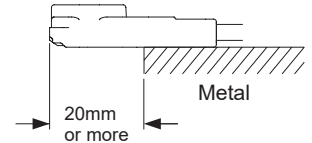


	GX-F6□	GX-F8□	GX-F12□	GX-F15□	GX-FL15□ (Note 2)
A	6mm (Note 1)	7.4mm	7.1mm	8mm	8.3mm (Note 3)
B	8mm	8mm	20mm	20mm	30mm
C	3mm	3mm	7mm	7mm	10mm

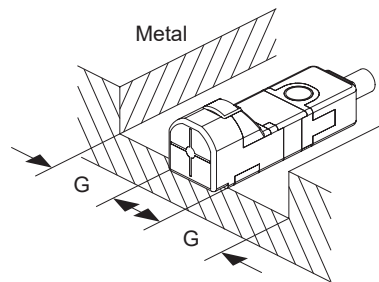
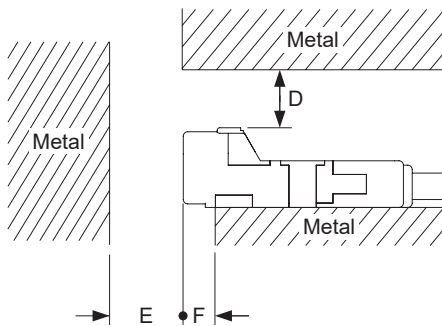
Notes: 1) The dimension is 6.4mm if the sensor mounting bracket **MS-GX6-1** (optional) is used.

2) The **GX-FL15□** should be mounted on an insulator. Use the aluminum sheet **MS-A15F** (optional) when mounting the product to a iron or stainless steel. Furthermore, make sure that the product protrudes at least 20mm from the mounting base.

3) The dimension includes the thickness (0.3mm) of the aluminum sheet **MS-A15F** (optional).



Top sensing type



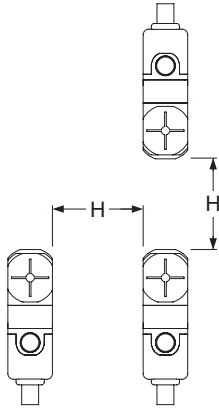
	GX-H6□	GX-H8□	GX-H12□	GX-H15□	GX-HL15□
D	3mm	4mm	7mm	6mm	12mm
E	10mm	10mm	20mm	20mm	30mm
F	2mm	3mm	3mm	0mm	10mm (Note)
G	2mm	3mm	3mm	3mm	10mm

Note: When **GX-HL15□** is mounted on an insulator, or seated on the enclosed aluminum sheet **MS-A15H** (optional), the distance "F" can be zero.

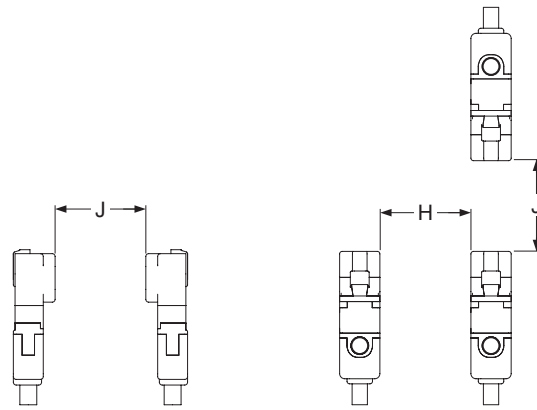
3-6 Mutual interference prevention

- When two or more sensors are installed in parallel or face to face, keep the minimum separation distance specified below to avoid mutual interference.

Front sensing type



Top sensing type



		H	J
GX-F6□ or GX-H6□	Between "I" type and non "I" type	0mm (Note 2)	15mm
	Between two "I" types or two non "I" types	13mm	25mm
GX-F8□ or GX-H8□	Between "I" type and non "I" type	0mm (Note 2)	15mm
	Between two "I" types or two non "I" types	20mm	35mm
GX-F12□ or GX-H12□	Between "I" type and non "I" type	0mm (Note 2)	25mm
	Between two "I" types or two non "I" types	25mm	50mm
GX-F15□ or GX-H15□	Between "I" type and non "I" type	0mm (Note 2)	25mm
	Between two "I" types or two non "I" types	45mm	70mm
GX-FL15□ or GX-HL15□	Between "I" type and non "I" type	0mm (Note 2)	25mm
	Between two "I" types or two non "I" types	110mm	170mm

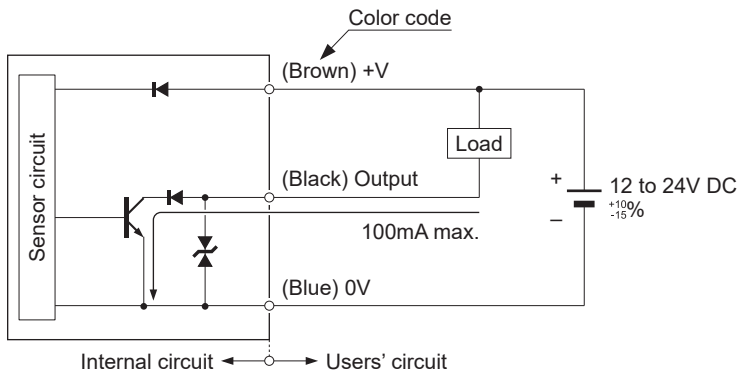
Notes: 1) "I" in the model No. specifies the different frequency type.

2): Close mounting is possible for up to two sensors. When mounting three sensors or more at an equal spacing, align the model with "I" and the model without "I" alternately. The minimum value of dimension "H" should be as given below.

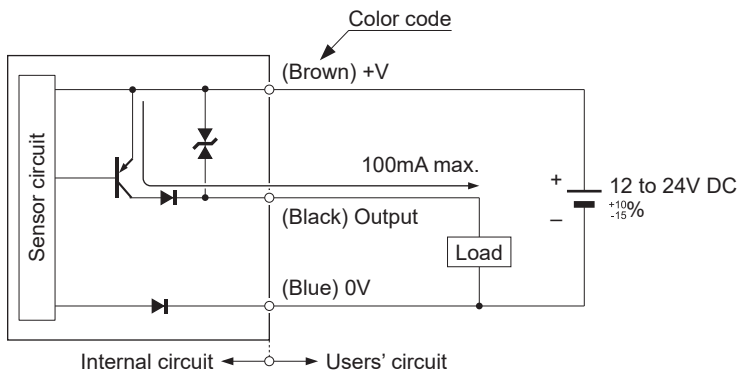
	H
GX-F6□ or GX-H6□	3.5mm
GX-F8□ or GX-H8□	6mm
GX-F12□ or GX-H12□	6.5mm
GX-F15□ or GX-H15□	15mm
GX-FL15□ or GX-HL15□	47.5mm

4. I/O Circuit Diagram

**NPN output type / GX-F6□ / GX-H6□, GX-F8□ / GX-H8□, GX-F12□ / GX-H12□
GX-F15□ / GX-H15□, GX-FL15□ / GX-HL15□**



**PNP output type / GX-F6□-P / GX-H6□-P, GX-F8□-P / GX-H8□-P
GX-F12□-P / GX-H12□-P, GX-F15□-P / GX-H15□-P
GX-FL15□-P / GX-HL15□-P**



5. Specifications

5-1 GX-F6□, GX-H6□

Type	NPN output type				PNP output type			
	Front sensing		Top sensing		Front sensing		Top sensing	
Model No.	GX-F6A	GX-F6B	GX-H6A	GX-H6B	GX-F6A-P	GX-F6B-P	GX-H6A-P	GX-H6B-P
Different frequency type	GX-F6AI	GX-F6BI	GX-H6AI	GX-H6BI	GX-F6AI-P	GX-F6BI-P	GX-H6AI-P	GX-H6BI-P
Max. operation distance (Note 1)	1.6mm ±8%							
Stable sensing range (Note 1)	0 to 1.3mm							
Standard sensing object	Iron sheet 12 × 12 × t1mm							
Hysteresis	20% or less of operation distance (with standard sensing object)							
Repeatability	Along sensing axis, perpendicular to sensing axis: 0.04mm or less							
Supply voltage	12 to 24V DC ±10% Ripple P-P 10% or less							
Current consumption	15mA or less							
Output	NPN open-collector transistor • Maximum sink current: 100mA • Applied voltage: 30V DC or less (between output and 0V) • Residual voltage: 2V or less (at 100mA sink current)				PNP open-collector transistor • Maximum source current: 100mA • Applied voltage: 30V DC or less (between output and +V) • Residual voltage: 2V or less (at 100mA source current)			
Output operation	Normally open	Normally closed	Normally open	Normally closed	Normally open	Normally closed	Normally open	Normally closed
Max. response frequency	400Hz							
Protection	IP68 (IEC), IP68g (JEM) (Note 2) (Note 3)							
Ambient temperature	-25 to +70°C, Storage: -40 to +85°C							
Ambient humidity	35 to 85% RH, Storage: 35 to 95% RH							
Sensing range variation	Temperature characteristics	Over ambient temperature range -25 to +70°C: Within ±8% of sensing range at +23°C						
	Voltage characteristics	Within ±2% for ±1% fluctuation of the supply voltage						
Material	Enclosure: PBT, Indicator part: Polycarbonate/Polyester							
Cable	0.15mm ² 3-core oil, heat and cold resistant cabtyre cable, 1m long							
Weight	Approx. 15g							

Notes: 1) The maximum operation distance stands for the maximum distance for which the sensor can detect the standard sensing object.

The stable sensing range stands for the sensing range for which the sensor can stably detect the standard sensing object even if there is an ambient temperature drift and/or supply voltage fluctuation.

The sensing range is specified for the standard sensing object. With a non-ferrous metal, the sensing range is obtained by multiplying with the correction coefficient specified below. Further, the sensing range also changes if the sensing object is smaller than the standard sensing object or if the sensing object is plated.

<Correction coefficient>

Model No.	Iron	Stainless steel (SUS304)	Brass	Aluminum
GX-F6□, GX-H6□	1	Approx. 0.76	Approx. 0.50	Approx. 0.48

2) Panasonic Industrial Devices SUNX's IP68 test method

1. Immerse at 0m below 0°C water surface and leave for 30min. Then, immerse at 0m below +70°C water surface and leave for 30min.

2. Regard the heat shock test in 1 as one cycle and perform 20 cycles.

3. Leave in water at a depth of 1m in water for 500 hours.

4. After tests 1 to 3, insulation resistance, voltage withstandability, current consumption, and sensing ranges must meet the standard values.

3) If using the sensor in an environment where cutting oil droplets splatter, the sensor may deteriorate due to added substances in the oil.

5-2 GX-F8□, GX-H8□

Type	NPN output type				PNP output type			
	Front sensing		Top sensing		Front sensing		Top sensing	
Model No.	GX-F8A	GX-F8B	GX-H8A	GX-H8B	GX-F8A-P	GX-F8B-P	GX-H8A-P	GX-H8B-P
Different frequency type	GX-F8AI	GX-F8BI	GX-H8AI	GX-H8BI	GX-F8AI-P	GX-F8BI-P	GX-H8AI-P	GX-H8BI-P
Max. operation distance (Note 1)	2.5mm ±8%							
Stable sensing range (Note 1)	0 to 2.1mm							
Standard sensing object	Iron sheet 15 × 15 × t1mm							
Hysteresis	20% or less of operation distance (with standard sensing object)							
Repeatability	Along sensing axis, perpendicular to sensing axis: 0.04mm or less							
Supply voltage	12 to 24V DC $\pm 10\%$ Ripple P-P 10% or less							
Current consumption	15mA or less							
Output	NPN open-collector transistor • Maximum sink current: 100mA • Applied voltage: 30V DC or less (between output and 0V) • Residual voltage: 2V or less (at 100mA sink current)				PNP open-collector transistor • Maximum source current: 100mA • Applied voltage: 30V DC or less (between output and +V) • Residual voltage: 2V or less (at 100mA source current)			
Output operation	Normally open	Normally closed	Normally open	Normally closed	Normally open	Normally closed	Normally open	Normally closed
Max. response frequency	500Hz							
Protection	IP68 (IEC), IP68g (JEM) (Note 2) (Note 3)							
Ambient temperature	-25 to +70°C, Storage: -40 to +85°C							
Ambient humidity	35 to 85% RH, Storage: 35 to 95% RH							
Sensing range variation	Temperature characteristics	Over ambient temperature range -25 to +70°C: Within ±8% of sensing range at +23°C						
	Voltage characteristics	Within ±2% for $\pm 10\%$ fluctuation of the supply voltage						
Material	Enclosure: PBT, Indicator part: Polycarbonate/Polyester							
Cable	0.15mm ² 3-core oil, heat and cold resistant cabtyre cable, 1m long							
Weight	Approx. 15g		Approx. 20g		Approx. 15g		Approx. 20g	

Notes: 1) The maximum operation distance stands for the maximum distance for which the sensor can detect the standard sensing object.

The stable sensing range stands for the sensing range for which the sensor can stably detect the standard sensing object even if there is an ambient temperature drift and/or supply voltage fluctuation.

The sensing range is specified for the standard sensing object. With a non-ferrous metal, the sensing range is obtained by multiplying with the correction coefficient specified below. Further, the sensing range also changes if the sensing object is smaller than the standard sensing object or if the sensing object is plated.

<Correction coefficient>

Model No.	Iron	Stainless steel (SUS304)	Brass	Aluminum
GX-F8□, GX-H8□	1	Approx. 0.76	Approx. 0.50	Approx. 0.48

2) Panasonic Industrial Devices SUNX's IP68 test method

1. Immerse at 0m below 0°C water surface and leave for 30min. Then, immerse at 0m below +70°C water surface and leave for 30min.
2. Regard the heat shock test in 1 as one cycle and perform 20 cycles.
3. Leave in water at a depth of 1m in water for 500 hours.
4. After tests 1 to 3, insulation resistance, voltage withstandability, current consumption, and sensing ranges must meet the standard values.

3) If using the sensor in an environment where cutting oil droplets splatter, the sensor may deteriorate due to added substances in the oil.

5-3 GX-F12□, GX-H12□

Type	NPN output type				PNP output type			
	Front sensing		Top sensing		Front sensing		Top sensing	
Model No.	GX-F12A	GX-F12B	GX-H12A	GX-H12B	GX-F12A-P	GX-F12B-P	GX-H12A-P	GX-H12B-P
Different frequency type	GX-F12AI	GX-F12BI	GX-H12AI	GX-H12BI	GX-F12AI-P	GX-F12BI-P	GX-H12AI-P	GX-H12BI-P
Max. operation distance (Note 1)	4.0mm ±8%							
Stable sensing range (Note 1)	0 to 3.3mm							
Standard sensing object	Iron sheet 20 × 20 × t1mm							
Hysteresis	20% or less of operation distance (with standard sensing object)							
Repeatability	Along sensing axis, perpendicular to sensing axis: 0.04mm or less							
Supply voltage	12 to 24V DC ±1% Ripple P-P 10% or less							
Current consumption	15mA or less							
Output	NPN open-collector transistor • Maximum sink current: 100mA • Applied voltage: 30V DC or less (between output and 0V) • Residual voltage: 2V or less (at 100mA sink current)				PNP open-collector transistor • Maximum source current: 100mA • Applied voltage: 30V DC or less (between output and +V) • Residual voltage: 2V or less (at 100mA source current)			
Output operation	Normally open	Normally closed	Normally open	Normally closed	Normally open	Normally closed	Normally open	Normally closed
Max. response frequency	500Hz							
Protection	IP68 (IEC), IP68g (JEM) (Note 2) (Note 3)							
Ambient temperature	-25 to +70°C, Storage: -40 to +85°C							
Ambient humidity	35 to 85% RH, Storage: 35 to 95% RH							
Sensing range variation	Temperature characteristics	Over ambient temperature range -25 to +70°C: Within ±8% of sensing range at +23°C						
	Voltage characteristics	Within ±2% for ±1% fluctuation of the supply voltage						
Material	Enclosure: PBT, Indicator part: Polycarbonate/Polyester							
Cable	0.15mm ² 3-core oil, heat and cold resistant cable, 1m long							
Weight	Approx. 20g							

Notes: 1) The maximum operation distance stands for the maximum distance for which the sensor can detect the standard sensing object.

The stable sensing range stands for the sensing range for which the sensor can stably detect the standard sensing object even if there is an ambient temperature drift and/or supply voltage fluctuation.

The sensing range is specified for the standard sensing object. With a non-ferrous metal, the sensing range is obtained by multiplying with the correction coefficient specified below. Further, the sensing range also changes if the sensing object is smaller than the standard sensing object or if the sensing object is plated.

<Correction coefficient>

Model No.	Iron	Stainless steel (SUS304)	Brass	Aluminum
GX-F12□, GX-H12□	1	Approx. 0.79	Approx. 0.56	Approx. 0.53

2) Panasonic Industrial Devices SUNX's IP68 test method

1. Immerse at 0m below 0°C water surface and leave for 30min. Then, immerse at 0m below +70°C water surface and leave for 30min.
2. Regard the heat shock test in 1 as one cycle and perform 20 cycles.
3. Leave in water at a depth of 1m in water for 500 hours.
4. After tests 1 to 3, insulation resistance, voltage withstandability, current consumption, and sensing ranges must meet the standard values.

3) If using the sensor in an environment where cutting oil droplets splatter, the sensor may deteriorate due to added substances in the oil.

5-4 GX-F15□, GX-H15□

Type	NPN output type				PNP output type			
	Front sensing		Top sensing		Front sensing		Top sensing	
Model No.	GX-F15A	GX-F15B	GX-H15A	GX-H15B	GX-F15A-P	GX-F15B-P	GX-H15A-P	GX-H15B-P
Different frequency type	GX-F15AI	GX-F15BI	GX-H15AI	GX-H15BI	GX-F15AI-P	GX-F15BI-P	GX-H15AI-P	GX-H15BI-P
Max. operation distance (Note 1)	5.0mm ±8%							
Stable sensing range (Note 1)	0 to 4.2mm							
Standard sensing object	Iron sheet 20 × 20 × t1mm							
Hysteresis	20% or less of operation distance (with standard sensing object)							
Repeatability	Along sensing axis, perpendicular to sensing axis: 0.04mm or less							
Supply voltage	12 to 24V DC $\pm 10\%$ Ripple P-P 10% or less							
Current consumption	15mA or less							
Output	NPN open-collector transistor <ul style="list-style-type: none"> • Maximum sink current: 100mA • Applied voltage: 30V DC or less (between output and 0V) • Residual voltage: 2V or less (at 100mA sink current) 				PNP open-collector transistor <ul style="list-style-type: none"> • Maximum source current: 100mA • Applied voltage: 30V DC or less (between output and +V) • Residual voltage: 2V or less (at 100mA source current) 			
Output operation	Normally open	Normally closed	Normally open	Normally closed	Normally open	Normally closed	Normally open	Normally closed
Max. response frequency	250Hz							
Protection	IP68 (IEC), IP68g (JEM) (Note 2) (Note 3)							
Ambient temperature	-25 to +70°C, Storage: -40 to +85°C							
Ambient humidity	35 to 85% RH, Storage: 35 to 95% RH							
Sensing range variation	Temperature characteristics	Over ambient temperature range -25 to +70°C: Within ±8% of sensing range at +23°C						
	Voltage characteristics	Within ±2% for $\pm 10\%$ fluctuation of the supply voltage						
Material	Enclosure: PBT, Indicator part: Polycarbonate/Polyester							
Cable	0.15mm ² 3-core oil, heat and cold resistant cabtyre cable, 1m long							
Weight	Approx. 20g							

Notes: 1) The maximum operation distance stands for the maximum distance for which the sensor can detect the standard sensing object.

The stable sensing range stands for the sensing range for which the sensor can stably detect the standard sensing object even if there is an ambient temperature drift and/or supply voltage fluctuation.

The sensing range is specified for the standard sensing object. With a non-ferrous metal, the sensing range is obtained by multiplying with the correction coefficient specified below. Further, the sensing range also changes if the sensing object is smaller than the standard sensing object or if the sensing object is plated.

<Correction coefficient>

Model No.	Iron	Stainless steel (SUS304)	Brass	Aluminum
GX-F15□, GX-H15□	1	Approx. 0.68	Approx. 0.47	Approx. 0.45

- 2) Panasonic Industrial Devices SUNX's IP68 test method
 1. Immerse at 0m below 0°C water surface and leave for 30min. Then, immerse at 0m below +70°C water surface and leave for 30min.
 2. Regard the heat shock test in 1 as one cycle and perform 20 cycles.
 3. Leave in water at a depth of 1m in water for 500 hours.
 4. After tests 1 to 3, insulation resistance, voltage withstandability, current consumption, and sensing ranges must meet the standard values.
- 3) If using the sensor in an environment where cutting oil droplets splatter, the sensor may deteriorate due to added substances in the oil.

5-5 GX-FL15□, GX-HL15□

Type	Long sensing range type							
	NPN output type				PNP output type			
	Front sensing		Top sensing		Front sensing		Top sensing	
Model No.	GX-FL15A	GX-FL15B	GX-HL15A	GX-HL15B	GX-FL15A-P	GX-FL15B-P	GX-HL15A-P	GX-HL15B-P
Different frequency type	GX-FL15AI	GX-FL15BI	GX-HL15AI	GX-HL15BI	GX-FL15AI-P	GX-FL15BI-P	GX-HL15AI-P	GX-HL15BI-P
Max. operation distance (Note 1)	8.0mm ±8% (Note 2)							
Stable sensing range (Note 1)	0 to 6.7mm (Note 2)							
Standard sensing object	Iron sheet 30 × 30 × t1mm							
Hysteresis	20% or less of operation distance (with standard sensing object)							
Repeatability	Along sensing axis, perpendicular to sensing axis: 0.04mm or less							
Supply voltage	12 to 24V DC ±10% Ripple P-P 10% or less							
Current consumption	15mA or less							
Output	NPN open-collector transistor				PNP open-collector transistor			
	<ul style="list-style-type: none"> • Maximum sink current: 100mA • Applied voltage: 30V DC or less (between output and 0V) • Residual voltage: 2V or less (at 100mA sink current) 				<ul style="list-style-type: none"> • Maximum source current: 100mA • Applied voltage: 30V DC or less (between output and +V) • Residual voltage: 2V or less (at 100mA source current) 			
Output operation	Normally open	Normally closed	Normally open	Normally closed	Normally open	Normally closed	Normally open	Normally closed
Max. response frequency	150Hz (Note 3)							
Protection	IP68 (IEC), IP68g (JEM) (Note 4) (Note 5)							
Ambient temperature	-25 to +70°C, Storage: -40 to +85°C							
Ambient humidity	35 to 85% RH, Storage: 35 to 95% RH							
Sensing range variation	Temperature characteristics	Over ambient temperature range -25 to +70°C: Within ±8% of sensing range at +23°C						
	Voltage characteristics	Within ±2% for ±10% fluctuation of the supply voltage						
Material	Enclosure: PBT, Indicator part: Polycarbonate/Polyester							
Cable	0.15mm ² 3-core oil, heat and cold resistant cable, 1m long							
Weight	Approx. 20g							

Notes: 1) The maximum operation distance stands for the maximum distance for which the sensor can detect the standard sensing object.

The stable sensing range stands for the sensing range for which the sensor can stably detect the standard sensing object even if there is an ambient temperature drift and/or supply voltage fluctuation.

The sensing range is specified for the standard sensing object. With a non-ferrous metal, the sensing range is obtained by multiplying with the correction coefficient specified below. Further, the sensing range also changes if the sensing object is smaller than the standard sensing object or if the sensing object is plated.

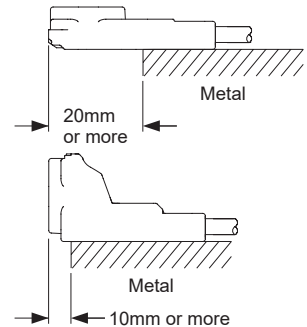
<Correction coefficient>

Model No.	Iron	Stainless steel (SUS304)	Brass	Aluminum
GX-FL15□	1	Approx. 0.70	Approx. 0.45	Approx. 0.43
GX-HL15□	1	Approx. 0.76	Approx. 0.50	Approx. 0.48

It is recommended that the **GX-FL15□** and the **GX-HL15□** be installed on an insulator. Note that when a sensor is installed on copper or aluminum, for example, the sensing range is obtained by multiplying with the correction coefficient specified below.

- **When installing the GX-FL15□ on steel or stainless steel**
Ensure that the front end protrudes at least 20mm, as shown in the figure at right.
Refer to the table below for the correction coefficient.

- **When installing the GX-HL15□ on steel or stainless steel**
Ensure that the front end protrudes at least 10mm, as shown in the figure at right.
Refer to the table below for the correction coefficient.



- **If the sensor cannot be installed with the front end protruding**
Use aluminum sheet **MS-A15F** (for **GX-FL15□**) or **MS-A15H** (for **GX-HL15□**) (to be purchased separately) inserted between the sensor and the mounting plate.
Refer to the table below for the correction coefficient.

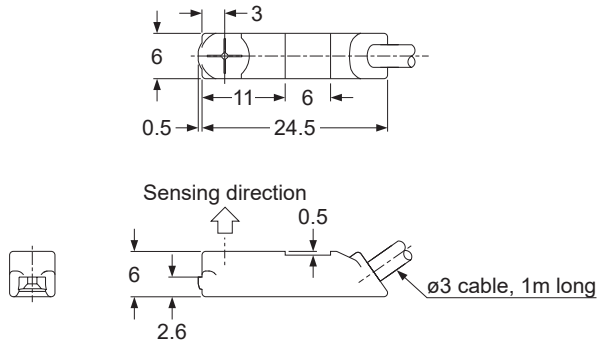
<Correction coefficient>

Mounting condition	Model No.	Insulator	Iron	Stainless steel (SUS304)	Brass	Aluminum
Normal installation	GX-FL15□	1.0	–	–	Approx. 0.94	Approx. 0.93
	GX-HL15□	1.0	–	–	Approx. 1.05	Approx. 1.04
The end must protrude at least 20mm from the mounting base.	GX-FL15□	–	Approx. 1.02	Approx. 0.99	–	–
The end must protrude at least 10mm from the mounting base.	GX-HL15□	–	Approx. 1.04	Approx. 1.00	–	–
Use the aluminum sheet (optional).	GX-FL15□	–	Approx. 0.92	Approx. 0.92	–	–
	GX-HL15□	–	Approx. 1.08	Approx. 1.05	–	–

- 2) Each value shows the required space of the product mounted to insulators directly. In the case of mounting the product to a steel or stainless mounting plate, insert the optional aluminum sheet **MS-A15F** (for the **GX-FL15□**) or **MS-A15H** (for **GX-HL15□**) between the sensor and the mounting plate.
- 3) Each value shows the required space of the product mounted to insulators directly. The maximum response frequency will be 100Hz if the product is mounted to a steel or stainless mounting plate.
- 4) Panasonic Industrial Devices SUNX's IP68 test method
 1. Immerse at 0m below 0°C water surface and leave for 30min. Then, immerse at 0m below +70°C water surface and leave for 30min.
 2. Regard the heat shock test in 1 as one cycle and perform 20 cycles.
 3. Leave in water at a depth of 1m in water for 500 hours.
 4. After tests 1 to 3, insulation resistance, voltage withstandability, current consumption, and sensing ranges must meet the standard values.
- 5) If using the sensor in an environment where cutting oil droplets splatter, the sensor may deteriorate due to added substances in the oil.

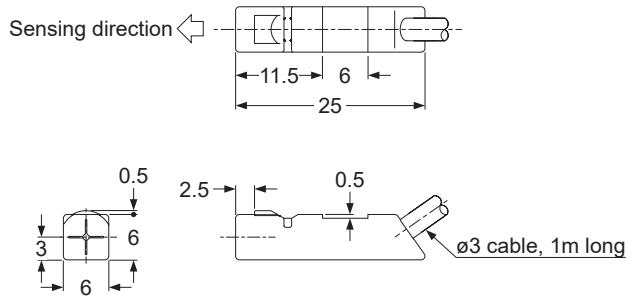
6. Dimensions

GX-F6□



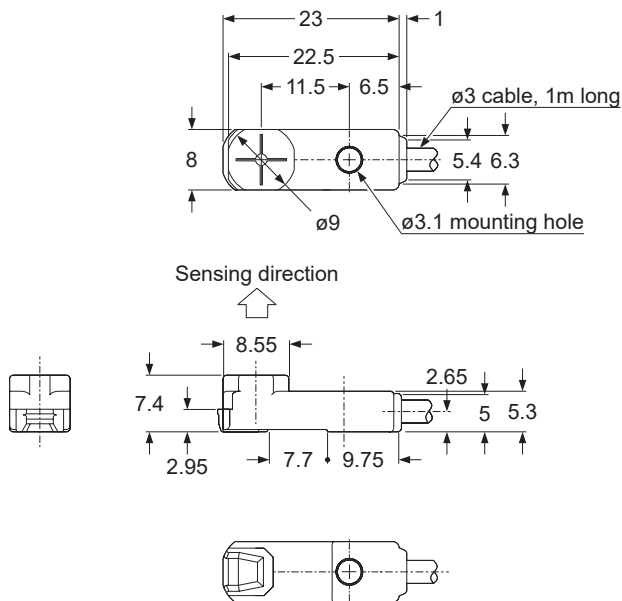
(Unit: mm)

GX-H6□



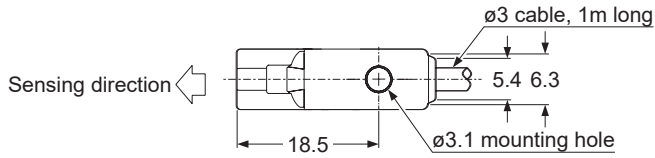
(Unit: mm)

GX-F8□

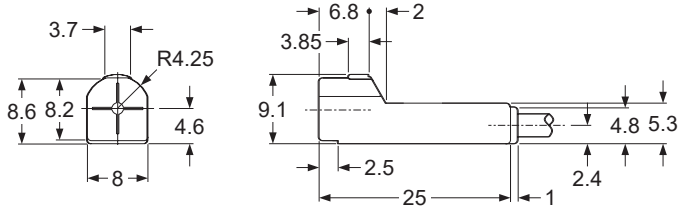


(Unit: mm)

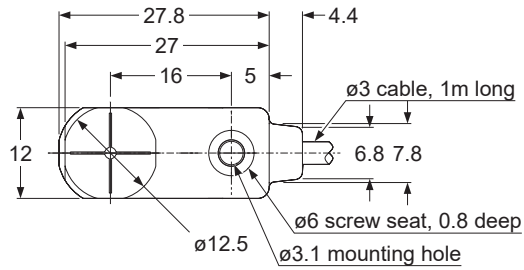
GX-H8



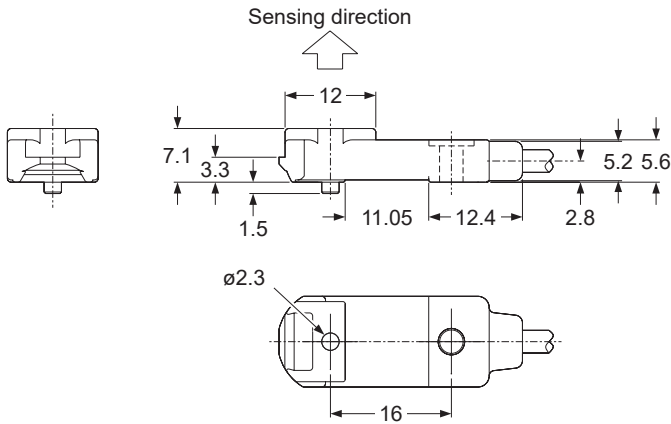
(Unit: mm)



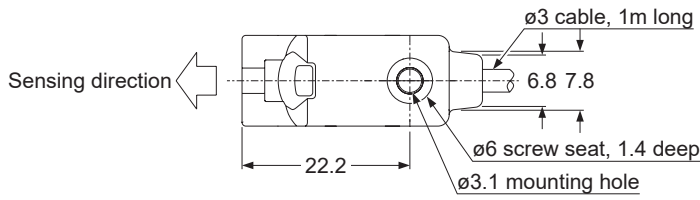
GX-F12



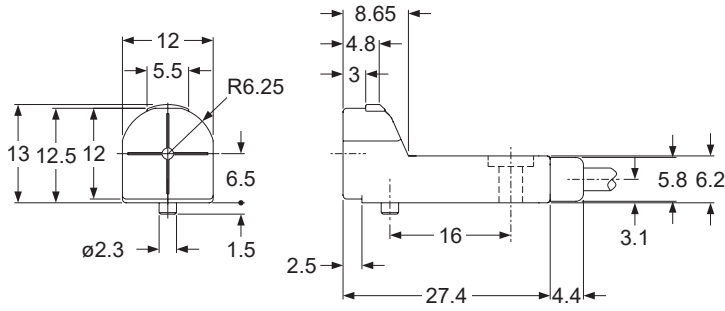
(Unit: mm)



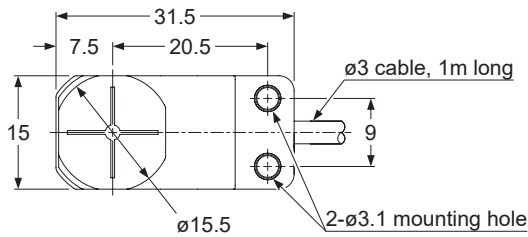
GX-H12



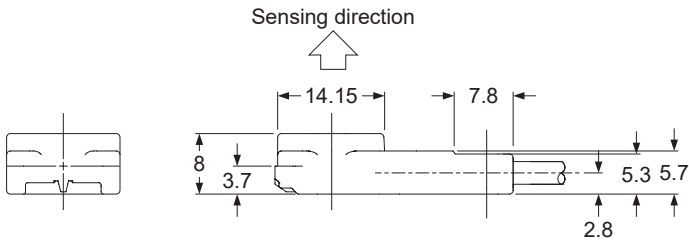
(Unit: mm)



GX-F15, GX-FL15

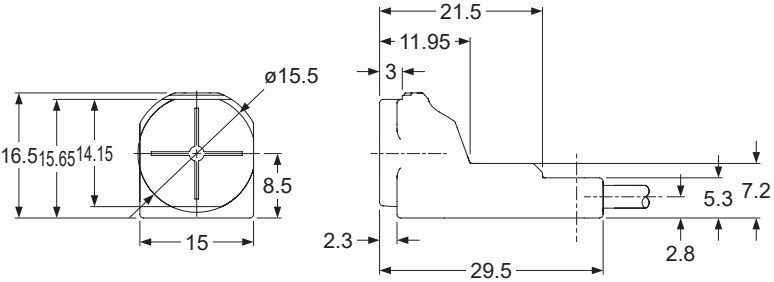
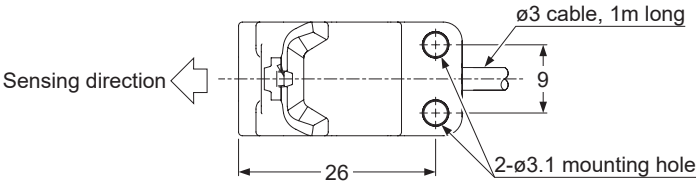


(Unit: mm)



GX-H15□, GX-HL15□

(Unit: mm)



Panasonic Industry Co., Ltd.

1006, Oaza Kadoma, Kadoma-shi, Osaka 571-8506, Japan
<https://industry.panasonic.com/>

Please visit our website for inquiries and about our sales network.

Panasonic Industry Co., Ltd. 2024

April, 2024

WUME-GXFH-4