

PROGRAMMABLE CONTROLLER  
FP0 Thermocouple Unit  
**Technical Manual**

---

# Safety Precautions

Observe the following notices to ensure personal safety or to prevent accidents.  
To ensure that you use this product correctly, read this User's Manual thoroughly before use.  
Make sure that you fully understand the product and information on safety.  
This manual uses two safety flags to indicate different levels of danger.

## **WARNING**

**If critical situations that could lead to user's death or serious injury is assumed by mishandling of the product.**

- Always take precautions to ensure the overall safety of your system, so that the whole system remains safe in the event of failure of this product or other external factor.
- Do not use this product in areas with inflammable gas. It could lead to an explosion.
- Exposing this product to excessive heat or open flames could cause damage to the lithium battery or other electronic parts.

## **CAUTION**

**If critical situations that could lead to user's injury or only property damage is assumed by mishandling of the product.**

- To prevent excessive exothermic heat or smoke generation, use this product at the values less than the maximum of the characteristics and performance that are assured in these specifications.
- Do not dismantle or remodel the product. It could cause excessive exothermic heat or smoke generation.
- Do not touch the terminal while turning on electricity. It could lead to an electric shock.
- Use the external devices to function the emergency stop and interlock circuit.
- Connect the wires or connectors securely.  
The loose connection could cause excessive exothermic heat or smoke generation.
- Do not allow foreign matters such as liquid, flammable materials, metals to go into the inside of the product. It could cause excessive exothermic heat or smoke generation.
- Do not undertake construction (such as connection and disconnection) while the power supply is on. It could lead to an electric shock.

# Copyright / Trademarks

- This manual and its contents are copyrighted.
- You may not copy this manual, in whole or part, without written consent of Panasonic Industry Co., Ltd.
- Windows is a registered trademark of Microsoft Corporation in the United States and other countries.
- All other company names and product names are trademarks or registered trademarks of their respective owners.

# Table of Contents

---

## Precautions before Usage

|   |           |
|---|-----------|
| <b>1 Unit Outlines.....</b>               | <b>1</b>  |
| 1.1 Functions .....                       | 1         |
| 1.2 Model .....                           | 1         |
| 1.3 Unit Connection Limit .....           | 1         |
| <b>2 Part Names and Functions.....</b>    | <b>2</b>  |
| <b>3 Input Range Setting Switch .....</b> | <b>3</b>  |
| <b>4 Wiring.....</b>                      | <b>4</b>  |
| <b>5 Conversion Characteristic .....</b>  | <b>6</b>  |
| <b>6 What is Averaging ? .....</b>        | <b>8</b>  |
| <b>7 I/O Allocations and Program.....</b> | <b>9</b>  |
| 7.1 I/O No. ....                          | 9         |
| 7.2 Program .....                         | 10        |
| <b>8 When Error Occurred .....</b>        | <b>13</b> |
| 8.1 What to Do.....                       | 13        |
| 8.2 Digital Value when Out of Range ..... | 13        |
| <b>9 Specifications.....</b>              | <b>14</b> |
| 9.1 Specifications.....                   | 14        |
| 9.2 Dimensions .....                      | 17        |

# Precautions before Usage

---

## - Accuracy

- Connecting/disconnecting the Thermocouple input terminal block while the Thermocouple Unit is ON will lower an accuracy temporarily. Accordingly, use the temperature data obtained 15 minutes after its action.
- When a high-accurate temperature data is required, use the temperature data obtained 15 minutes after turning ON the Thermocouple Unit. (However, the temperature data within 15 minutes is also within the Total accuracy range.)
- A rapid temperature change in the Thermocouple Unit might change the temperature data temporarily.
- The direct air (wind) from the cooling fan built in the control panel etc. to the Thermocouple Unit will lower an accuracy. Prevent a direct air.

## - Programming

- From the Power-ON to the converted data Ready, the digital value will be K8001 or K16001. Create a ladder program not to use the data obtained during that period.
- When the thermocouple is broken, the digital value will change to K8000 or K16000 within 70 seconds. Practice in the ladder program a process for avoiding a risk, would be resulting from a broken thermocouple, and exchange the thermocouple.
- When the Input range setting switch is set for 4 channels or more, use a program described in "7.2 Program>, without fail.

# 1 Unit Outlines

---

## 1.1 Functions

---

### 1. Thermocouple input unit for FP0/FPΣ Control Unit

The temperature data obtained using the thermocouple is converted to the digital value to be read into the FP0/FPΣ Control Unit.

### 2. Thermocouple types K, J, T and R are available.

### 3. 3 temperature measurement ranges are available.

-100.0 to +500.0 (Thermocouple types: K and J)  
-100.0 to +400.0 (Thermocouple type : T)  
0.0 to +1500.0 (Thermocouple type : R)

### 4. The data can be converted to the degree Celsius or the degree Fahrenheit.

The temperature data measured using the sensor is converted to the degree Celsius or the degree Fahrenheit inside the Thermocouple Unit.

### 5. The averaging function is installed.

The converted data (degree Celsius or Fahrenheit) is averaged, so that even unstable input signals can be properly read.

### 6. The broken-thermocouple detector is attached.

A thermocouple, broken, can be detected.

## 1.2 Model

---

### - Thermocouple Unit

| Part number | Thermocouple input points | Product number |
|-------------|---------------------------|----------------|
| FP0-TC4     | 4 points                  | AFP0420        |
| FP0-TC8     | 8 points                  | AFP0421        |

## 1.3 Unit Connection Limit

---

### - Number limit

Up to 3 expansion units can be connected with the Control Unit.

### - Position limit

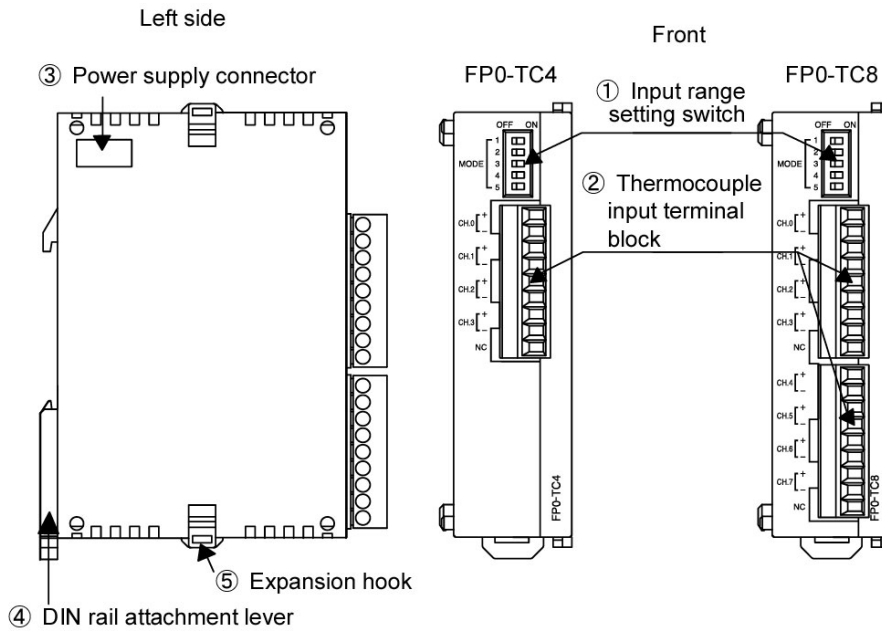
Install the thermocouple unit on the right side of other expansion unit. If it is installed on the left side, the total precision will deteriorate.



Reference: "7.1 I/O No."

# 2 Part Names and Functions

## - Thermocouple Unit



### ① Input range setting switch

changes between the input ranges (thermocouple types). Only the same range setting is available for all the 8 channels. (The setting can not be specified per channel.)



**Reference:** "4 Input Range Setting Switch".

### ② Thermocouple input terminal block (9-pin)

is made by Phoenix. Model No. is MC1.5/9-ST-3.5 (Part No.: 1840434)

Suitable wires

| Size          | Nominal cross-sectional area                |
|---------------|---|
| AWG# 28 to 16 | 0.08 mm <sup>2</sup> to 0.25mm <sup>2</sup> |



**Reference:** FP0 Hardware Manual "Wiring the Terminal Type".  
FPΣ User's Manual "Wiring of Terminal Block Type".

### ③ Expansion connector

Connects the expansion unit to the internal circuit of the Control Unit.



**Reference:** FP0 Hardware Manual "Adding Expansion Units".  
FPΣ User's Manual "Expansion Method of Units for FP0 and FPΣ".

### ④ DIN rail attachment lever (One-touch hook)

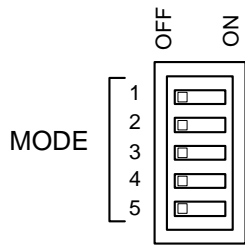
The unit can be installed to the DIN rail through one-touch operation.  
This is also used for installing the unit to the FP0 Slim Type Mounting Plate (AFP0803).

### ⑤ Expansion hook

Fixes the expansion unit with the Control Unit.

# 3 Input Range Setting Switch

- Input range setting switch



(The following switch settings are read once when the Control Unit is turned ON. Any change will not be reflected even if made while ON.)

## 1) Input range setting switch

|                   |   | OFF                      | ON                       | OFF                      | ON                       | OFF                      | ON                       | OFF                      | ON                       |
|-------------------|---|--------------------------|--------------------------|--------------------------|--------------------------|--------------------------|--------------------------|--------------------------|--------------------------|
| MODE SW           | 1 | <input type="checkbox"/> | <input type="checkbox"/> | <input type="checkbox"/> | <input type="checkbox"/> | <input type="checkbox"/> | <input type="checkbox"/> | <input type="checkbox"/> | <input type="checkbox"/> |
|                   | 2 | <input type="checkbox"/> | <input type="checkbox"/> | <input type="checkbox"/> | <input type="checkbox"/> | <input type="checkbox"/> | <input type="checkbox"/> | <input type="checkbox"/> | <input type="checkbox"/> |
| Thermocouple type |   | K                        |                          | J                        |                          | T                        |                          | R                        |                          |

## 2) Temperature unit switch

|         |   | OFF                      | ON                       | OFF                      | ON                       |
|---------|---|--------------------------|--------------------------|--------------------------|--------------------------|
| MODE SW | 3 | <input type="checkbox"/> | <input type="checkbox"/> | <input type="checkbox"/> | <input type="checkbox"/> |
| Unit    |   | °C                       |                          | °F                       |                          |

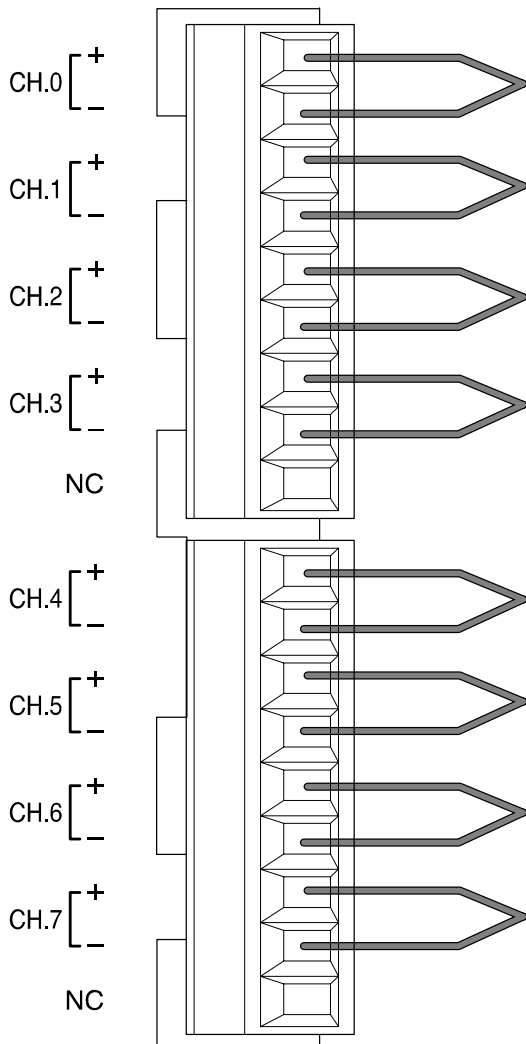
## 3) Input channel selection switch

|                          |   | OFF                      | ON                       | OFF                      | ON                       | OFF                      | ON                       | OFF                      | ON                       |
|--------------------------|---|--------------------------|--------------------------|--------------------------|--------------------------|--------------------------|--------------------------|--------------------------|--------------------------|
| MODE SW                  | 4 | <input type="checkbox"/> | <input type="checkbox"/> | <input type="checkbox"/> | <input type="checkbox"/> | <input type="checkbox"/> | <input type="checkbox"/> | <input type="checkbox"/> | <input type="checkbox"/> |
|                          | 5 | <input type="checkbox"/> | <input type="checkbox"/> | <input type="checkbox"/> | <input type="checkbox"/> | <input type="checkbox"/> | <input type="checkbox"/> | <input type="checkbox"/> | <input type="checkbox"/> |
| Input channel            |   | CH0, 1                   |                          | CH0 to CH3               |                          | CH0 to CH5               |                          | CH0 to CH7               |                          |
| Number of input channels |   | 2                        |                          | 4                        |                          | 6 *                      |                          | 8 *                      |                          |

\* Do not specify it for the FP0-TC4.

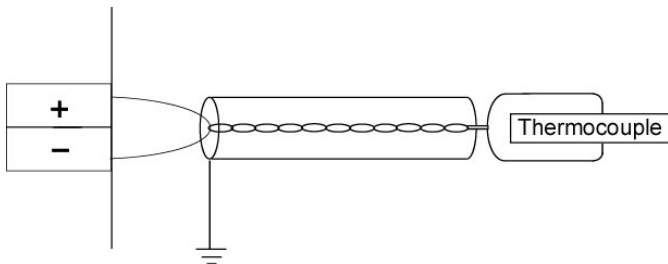
# 4 Wiring

## - Wiring method



## - Input line wiring

- Keep the space more than 100mm between the input line and the power line/high-voltage line.
- It is recommended grounding the unit using the insulated compensating wire.





**- Input terminal block**

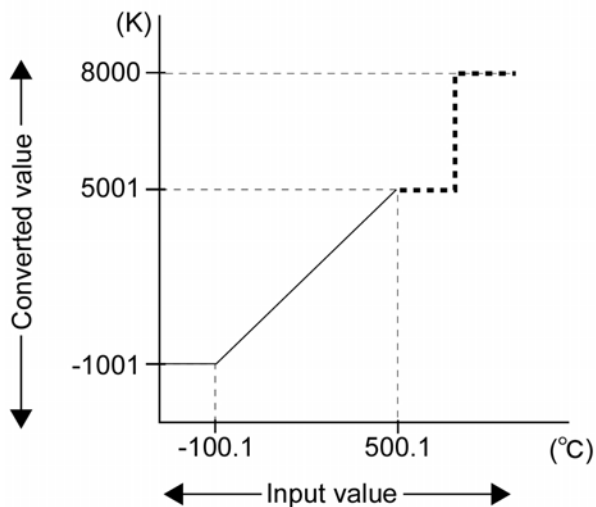
| <b>Pin No.</b> | <b>Name</b> | <b>Function</b>          |
|----------------|-------------|--------------------------|
| 1              | CH.0 +      | CH0 + thermocouple input |
| 2              | CH.0 -      | CH0 - thermocouple input |
| 3              | CH.1 +      | CH1 + thermocouple input |
| 4              | CH.1 -      | CH1 - thermocouple input |
| 5              | CH.2 +      | CH2 + thermocouple input |
| 6              | CH.2 -      | CH2 - thermocouple input |
| 7              | CH.3 +      | CH3 + thermocouple input |
| 8              | CH.3 -      | CH3 - thermocouple input |
| 9              | NC          | no connection            |

|   |        |                          |
|---|--------|--------------------------|
| 1 | CH.4 + | CH4 + thermocouple input |
| 2 | CH.4 - | CH4 - thermocouple input |
| 3 | CH.5 + | CH5 + thermocouple input |
| 4 | CH.5 - | CH5 - thermocouple input |
| 5 | CH.6 + | CH6 + thermocouple input |
| 6 | CH.6 - | CH6 - thermocouple input |
| 7 | CH.7 + | CH7 + thermocouple input |
| 8 | CH.7 - | CH7 - thermocouple input |
| 9 | NC     | no connection            |

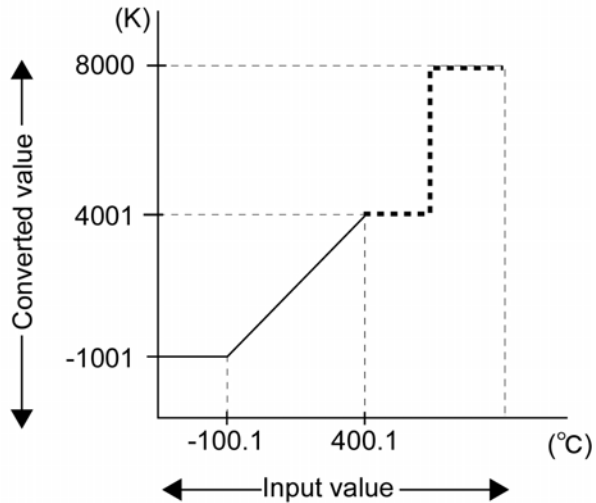
\* Where between channels are insulated using the PhotoMos relay.

# 5 Conversion Characteristic

- K and J range (-100.0°C to 500.0°C)



- T range (-100.0°C to 400.0°C)



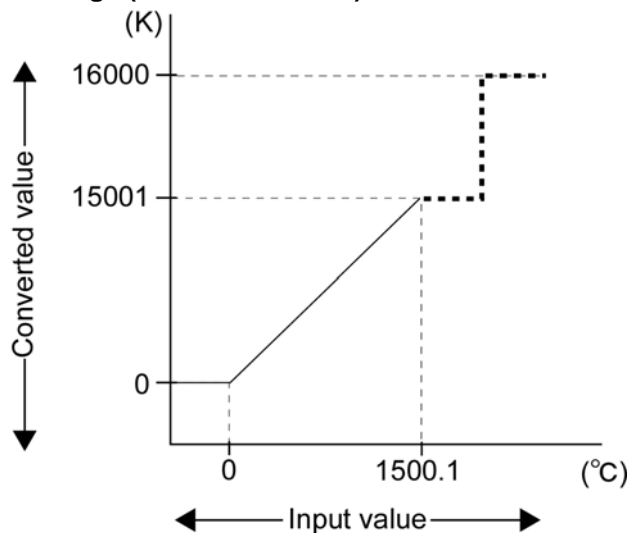
When the input out of the range is made

| Input                           | converted to     |
|---------------------------------|------------------|
| -100.1°C Max.                   | K -1001          |
| 500.1°C Min.                    | K 5001 or K 8000 |
| When the thermocouple is broken | K 8000           |

When the input out of the range is made

| Input                           | converted to     |
|---------------------------------|------------------|
| - 100.1°C Max.                  | K -1001          |
| 400.1°C Min.                    | K 4001 or K 8000 |
| When the thermocouple is broken | K 8000           |

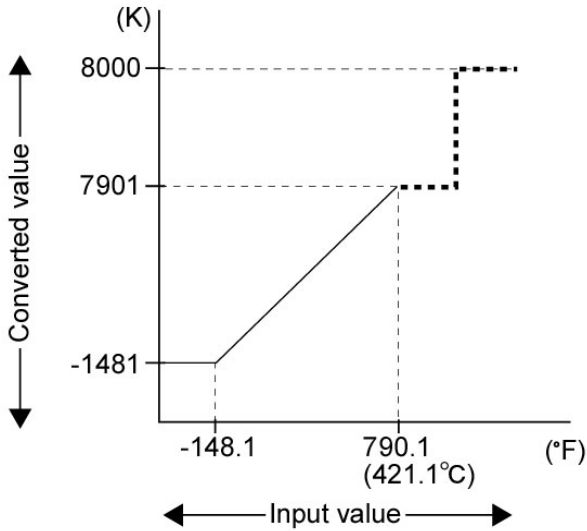
- R range (0.0°C to 1500.0°C)



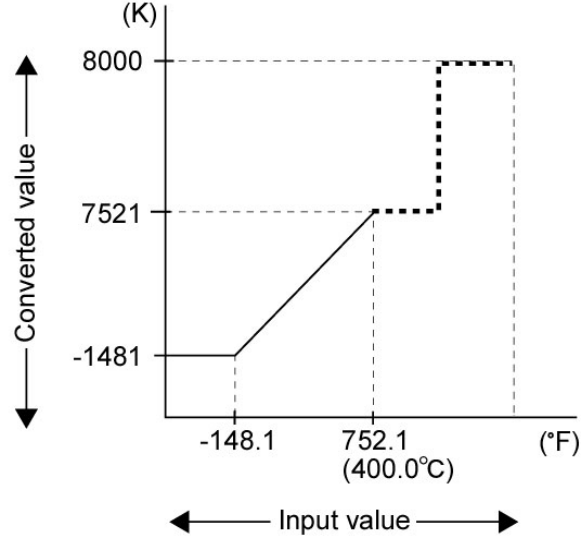
When the input out of the range is made

| Input                           | converted to       |
|---------------------------------|--------------------|
| 0.0°C Max.                      | K 0                |
| 1500.1°C Min.                   | K 15001 or K 16000 |
| When the thermocouple is broken | K 16000            |

**- K and J range (-148.0°F to 790.0°F)**



**- T range (-148.0°F to 752.0°F)**



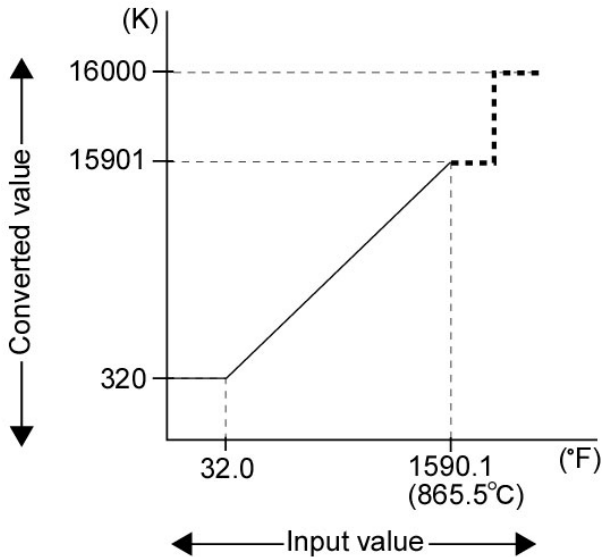
**When the input out of the range is made**

| Input                           | converted to     |
|---------------------------------|------------------|
| 148.1°F Max.                    | K -1481          |
| 790.1°F Min.                    | K 7901 or K 8000 |
| When the thermocouple is broken | K 8000           |

**When the input out of the range is made**

| Input                           | converted to     |
|---------------------------------|------------------|
| -148.1°F Max.                   | K -1481          |
| 752.1°F Min.                    | K 7521 or K 8000 |
| When the thermocouple is broken | K 8000           |

**- R range(32.0°F to 1590.0°F)**



**When the input out of the range is made**

| Input                           | converted to       |
|---------------------------------|--------------------|
| 32.0°F Max.                     | K 320              |
| 1590.1°F Min.                   | K 15901 or K 16000 |
| When the thermocouple is broken | K 16000            |

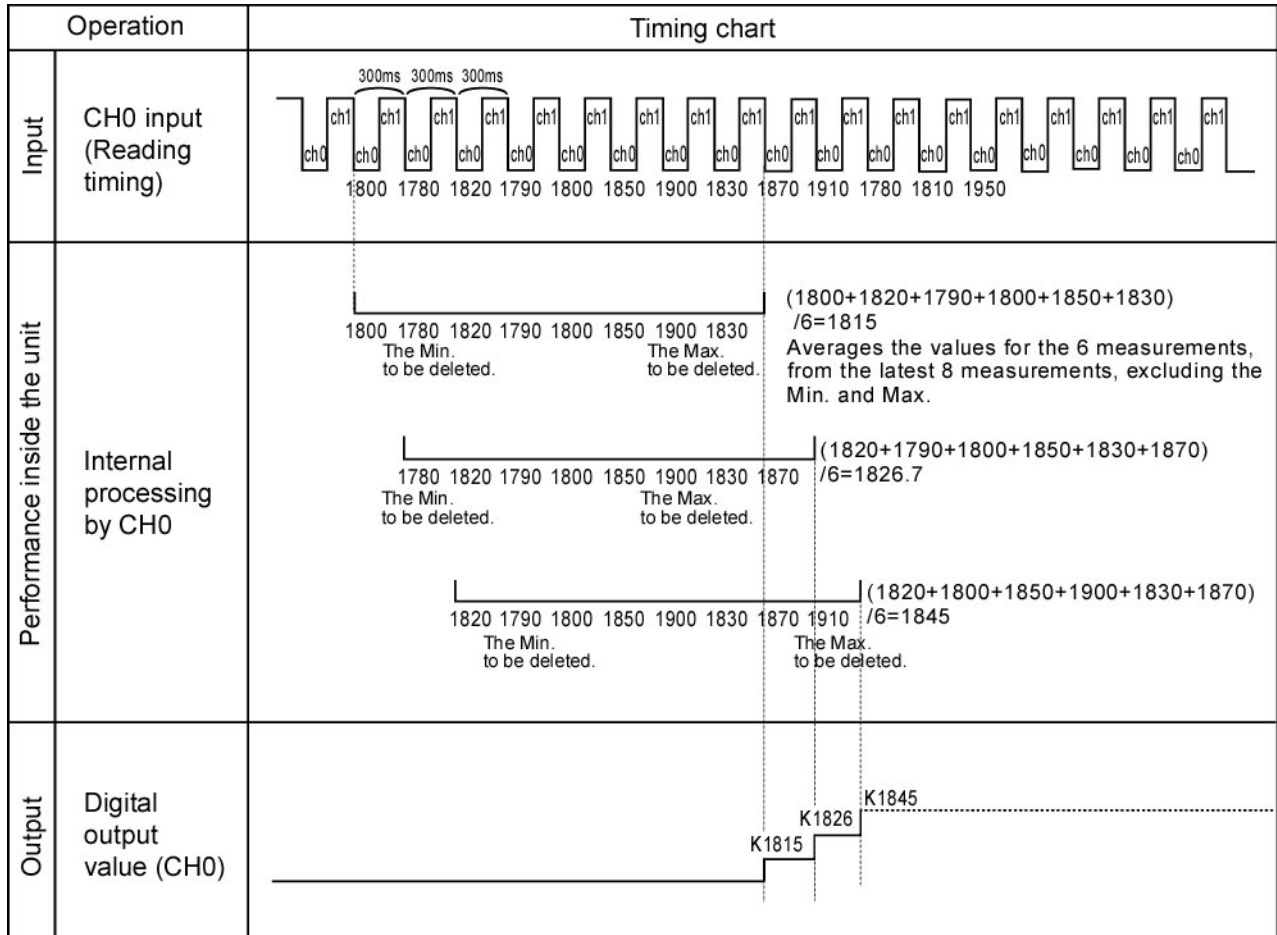


**Note:** The measurement range available for degree Celsius is not available for degree Fahrenheit, of which the upper-limit measurement is set lower than degree Celsius, since the digital value (temperature value displayed) for degree Fahrenheit is bigger than that for degree Celsius.

# 6 What is Averaging ?

The followings are processed inside the Thermocouple Unit.

The example below is for when the number of the input channels is 2. (The input range setting switches, No.4 and No.5, are OFF.)

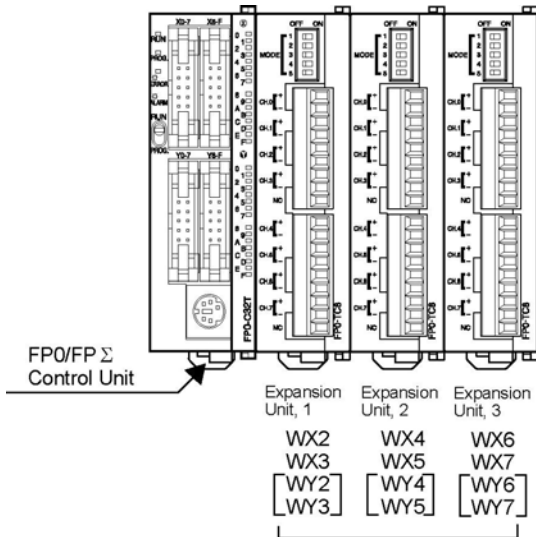


The values for the 6-time measurements, from the latest 8-time measurements, excluding the Max. and the Min., are averaged and the newest average is always output to WX2 and WX3. (The decimal fractions are rounded off.)

# 7 I/O Allocations and Program

## 7.1 I/O No.

- I/O No.



Up to 3 expansion units, including the Thermocouple Unit, can be connected with the Control Unit. (2 Words [2 x 16 bits] are assigned to WX and WY each.)



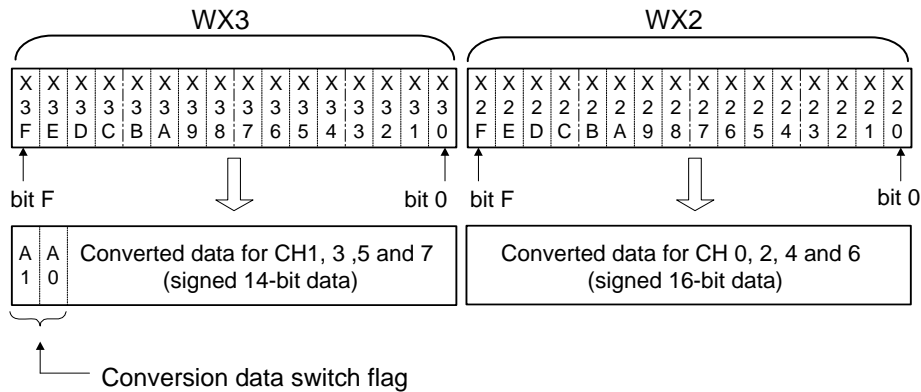
- Note:**
- \*Install the thermocouple unit on the right side of other expansion unit. If it is installed on the left side, the total precision will deteriorate.
  - \*In case of 3 expansion unit (1 of which is the Thermocouple Unit): Mount the Thermocouple Unit in the place of Expansion Unit, 3.
  - \*In case of 3 expansion unit (2 of which is the Thermocouple Unit): Mount the Thermocouple Unit in the places of Expansion Units, 2 and 3.

- The data from each channel is assigned as the I/O data to the data registers below when the A/D Converter Unit is installed in the above unit configuration;

| Thermocouple Unit input channel | Expansion Unit, 1 | Expansion Unit, 2 | Expansion Unit, 3 |
|---------------------------------|-------------------|-------------------|-------------------|
| CH0, 2, 4, 6                    | WX2               | WX4               | WX6               |
| CH1, 3, 5, 7                    | WX3               | WX5               | WX7               |

### - Example of the I/O allocations

The converted data for channels when the Thermocouple Unit is installed in the Expansion Unit, 1 and its assignment to WX2 and WX3



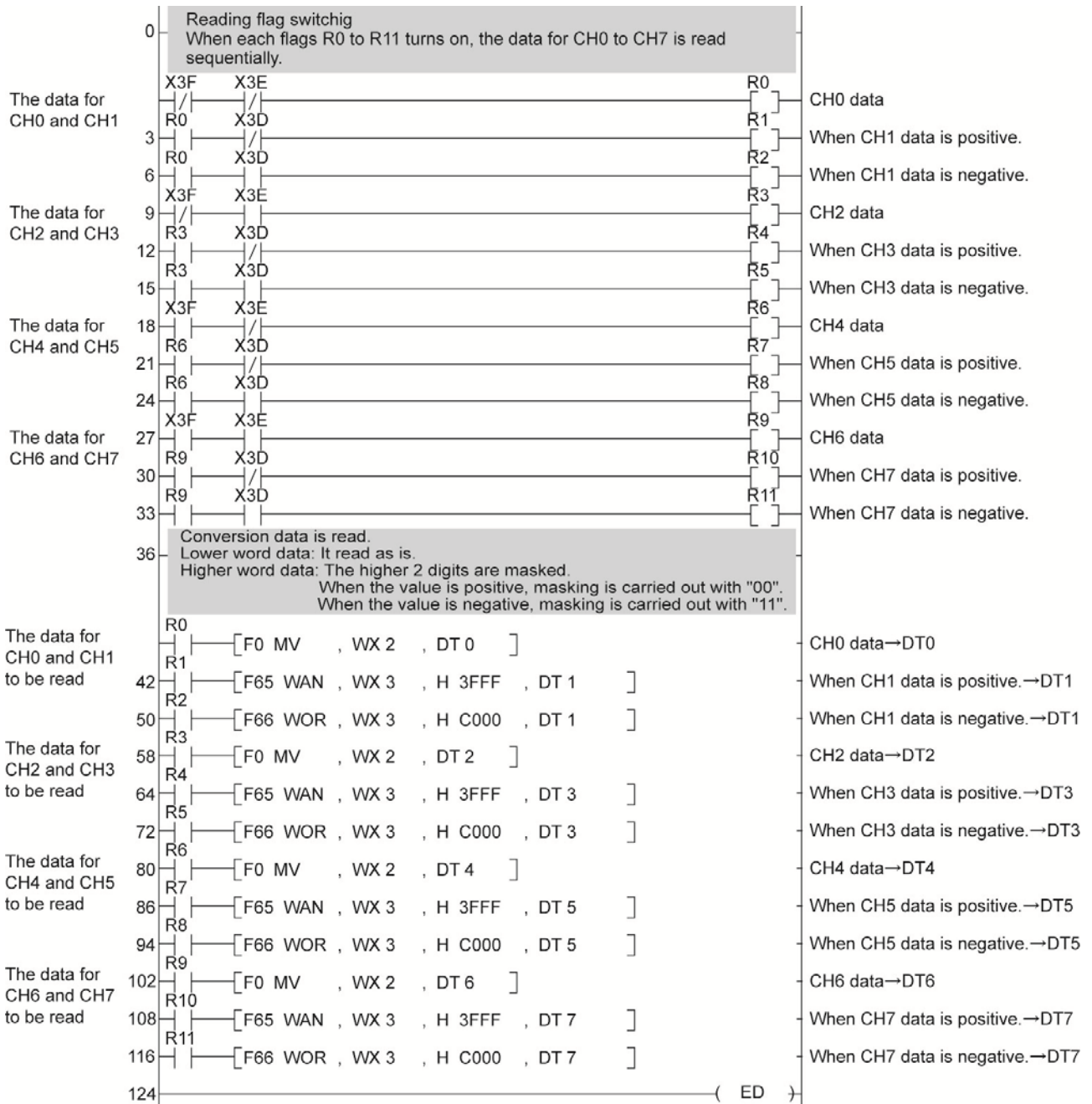
| A1 | A0 | WX3      | WX2      |
|----|----|----------|----------|
| 0  | 0  | CH1 data | CH0 data |
| 0  | 1  | CH3 data | CH2 data |
| 1  | 0  | CH5 data | CH4 data |
| 1  | 1  | CH7 data | CH6 data |

# 7.2 Program

## 7.2.1 Thermocouple Types K, J and T

### - Ladder program to read the data from input channels

[ The program to store in the data registers, DT0 to DT7, the temperature data for CH0 to CH7 of the Thermocouple Unit installed in the 1st. ]



Reference: "7.1 I/O No."

**- Conversion data switch flag**

When transferring the data from the Thermocouple Unit to the Control Unit, it is converted to the 32-bit data including the channel information. The data for WX2 can be used as is, but the following process is required for the WX3 data since its higher 2 bits are used as a conversion data switch flag;

**- What to do**

When the temperature data is negative, the data for WX2 and WX3 will be 2's complement. That is, bit F for WX2 and bit D for WX3 will be "1".

The higher 2 bits for WX3 are used as the conversion data switch flag, so that masking using "00" is needed when the conversion data is positive, using "11" when negative.

| Data for CH3 | WX3                | → | Data after masked  |
|--------------|--------------------|---|--------------------|
| 1            | 010000000000000001 | → | 000000000000000001 |
| -1           | 011111111111111111 | → | 111111111111111111 |

recognizes Positive or Negative at bit D.

Conversion data switch flag

The above values to be masked.

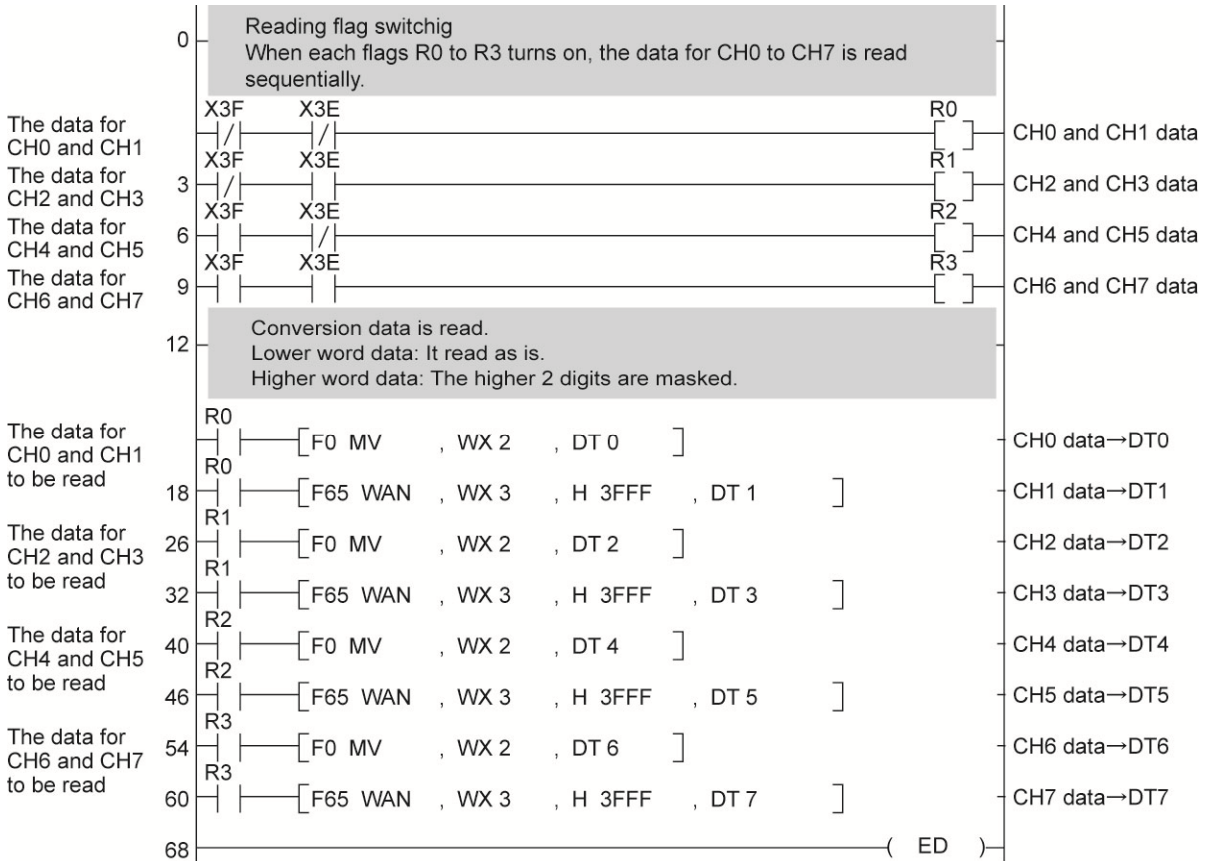


**Note:** X3D, X3E, X3F, WX2 and WX3 are changed depending on where the Thermocouple Unit is installed.

## 7.2.2 Thermocouple Types, R

### - Ladder program to read the data from input channels

The program to store in the data registers, DT0 to DT7, the temperature data for CH0 to CH7, of the Thermocouple Unit installed in the 1st.



Reference: "7.1 I/O No."

### - Conversion data switch flag

When transferring the data from the Thermocouple Unit to the Control Unit, it is converted to the 32-bit data including the channel information. The data for WX2 can be used as is, but the following process is required for the WX3 data since its higher 2 bits are used as a conversion data switch flag;

### - What to do

The temperature data is positive only, so that the data of bit 0 to bit F for WX2 and bit 0 to bit D for WX3 can be handled intact as a temperature.

The higher 2 bits for WX3 are used as the conversion data switch flag, so that masking using "00" is needed.

| Data for CH3 | WX3               | → | Data after masked |
|--------------|-------------------|---|-------------------|
| 1            | 01:00000000000001 | → | 0000000000000001  |

The above values to be masked  
 Conversion data switch flag



Note: X3E, X3F, WX2 and WX3 are changed depending on where the Thermocouple Unit is installed.



# 8 When Error Occurred

---

## 8.1 What to Do

---

### What to do ①

Check whether the input signal line are properly connected.  
When the thermocouple is not connected properly or broken, K8000 is displayed for the Thermocouple type K, J and T and K16000 for R.

### What to do ②

Check whether the Input range setting switch (, which specifies the allowable temperature range, the thermocouple type and the valid channel) is properly set.

### What to do ③

Use the program described in “7.2 Program” when the number of input channels are more than 4.



Reference: “3 Input Range Setting Switch”.



Reference: “7 I/O Allocations and Program”.

## 8.2 Digital Value when Out of Range

---

When the input of the FP0 Thermocouple Unit is out of the range, the digital values below are displayed;

|  | K, J range   |              | T range      |              | R range        |                |
|--|--------------|--------------|--------------|--------------|----------------|----------------|
|  | °C           | °F           | °C           | °F           | °C             | °F             |
| The temp-measured >the upper-limit                 | 5001 or 8000 | 7901 or 8000 | 4001 or 8000 | 7521 or 8000 | 15001 or 16000 | 15901 or 16000 |
| The temp-measured <the lower-limit                 | - 1001       | - 1481       | - 1001       | - 1481       | 0              | 32             |
| The thermocouple is connected improperly or broken | 8000         | 8000         | 8000         | 8000         | 16000          | 16000          |

# 9 Specifications

---

## 9.1 Specifications

---

### - General specifications

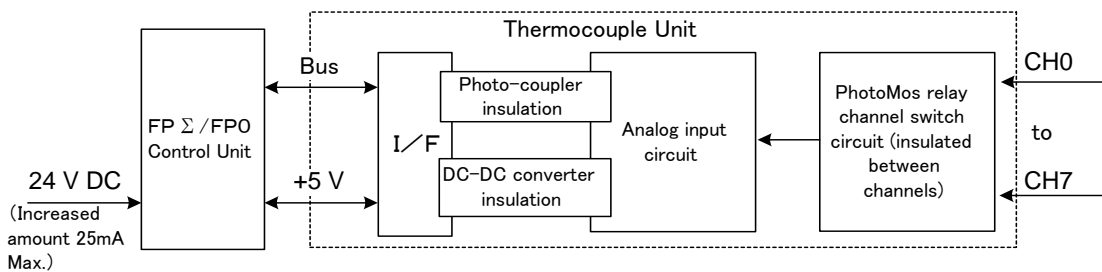
| Item   | Specifications  |
|--|---|
| Consumption current increased for the Control Unit | 25mA Max. (24V DC)  |
| Operating ambient temperature                      | 0°C to +55°C  |
| Storage ambient temperature                        | -20°C to +70°C  |
| Operating ambient humidity                         | 30%RH to 85%RH (at25°C no condensing)   |
| Storage ambient humidity                           | 30%RH to 85%RH (at25°C no condensing)   |
| Withstand voltage                                  | between "all the thermocouple input terminals" and "all the Control unit power/functional earth terminals": 500V AC for 1min.<br>between thermocouple input terminal channels: 200V AC for 1 min. |
| Insulation resistance                              | between "all the thermocouple input terminals" and "all the Control unit power/functional earth terminals": more than 100M $\Omega$<br>(Testing voltage: 500V DC)                                 |
| Vibration resistance                               | 10Hz to 55Hz 1 sweep/min. with double amplitude in 0.75mm for 10 min. on 3 axes (toward X, Y and Z directions)  |
| Shock resistance                                   | 98m/s <sup>2</sup> for 4 times on 3 axes (toward X, Y and Z directions)   |
| Noise immunity                                     | 1000V [P-P] Pulse width 50ns, 1 $\mu$ s (using noise simulator)   |
| Operating condition                                | Must be free from corrosive gases and excessive dust.   |
| Weight   | about 85g (FP0-TC4)<br>about 95g (FP0-TC8)  |

**- Input specifications**

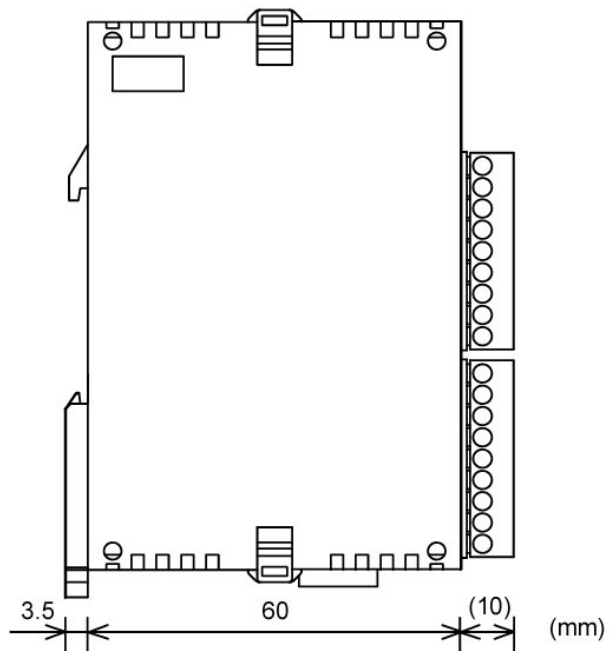
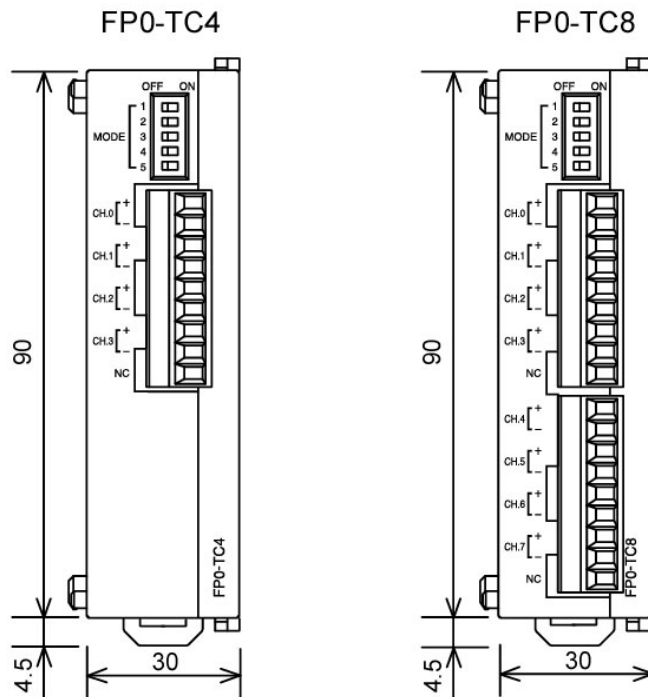
| Item                         | Specification  |
|------------------------------|--|
| Input point                  | Up to 8 channels per unit (The number of Input points can be changed 2, 4, 6 and 8 channels are available.)  |
| Input range                  | Thermocouple types K, J : -100.0°C to 500.0°C<br>-148.0°F to 790.0°F <sup>*1</sup>   |
|                              | Thermocouple type T : -100.0°C to 400.0°C<br>-148.0°F to 752.0°F <sup>*1</sup>   |
|                              | Thermocouple type R : 0.0°C to 1500.0°C<br>32.0°F to 1590.0°F <sup>*1</sup>  |
| Digital output               | K and J (when using °C) : K - 1000 to K 5000   |
|                              | K and J (when using °F) : K - 1480 to K 7900 <sup>*1</sup>   |
|                              | When range over using(°C) : K -1001, K 5001 or K 8000  |
|                              | When range over using(°F) : K -1481, K 7901 or K 8000  |
|                              | (when the thermocouple Broken: K 8000) <sup>*2</sup><br>(Until the temperature can be measured at the initial startup: K 8001) <sup>*3</sup>   |
|                              | T (when using °C) : K - 1000 to K 4000   |
|                              | T (when using °F) : K - 1480 to K 7520 <sup>*1</sup>   |
|                              | When range over using(°C) : K -1001, K 4001 or K 8000  |
|                              | When range over using(°F) : K -1481, K 7521 or K 8000  |
|                              | (when the thermocouple Broken: K 8000) <sup>*2</sup><br>(Until the temperature can be measured at the initial startup: K 8001) <sup>*3</sup>   |
| Resolution                   | 0.1°C  |
| Sampling cycle <sup>*5</sup> | 300ms : when using 2 channels for an input points <sup>*4</sup><br>500ms : when using 4 channels for an input points <sup>*4</sup><br>700ms : when using 6 channels for an input points <sup>*4</sup><br>900ms : when using 8 channels for an input points <sup>*4</sup> |
| Accuracy                     | Range for K and J (-100°C to 500°C) : ±0.8°C<br>Range for T (-100°C to 400°C) : ±0.8°C<br>Range for R (0°C to 99.9°C) : ±3°C<br>(100°C to 299.9°C) : ±2.5°C<br>(300°C to 1500°C) : ±2°C  |
| Input impedance              | more than 1MΩ  |
| Insulation method            | •between thermocouple input terminals and Control Unit internal circuits<br>Photo-coupler insulation/DC-DC insulation<br>•between thermocouple input terminal channels<br>PhotoMos relay insulation  |
| Input/Output points          | Input - 32 points 16 points for WX2, 4, 6: Analog input<br>CH0, 2, 4, 6 (WX2) <sup>*6*7</sup><br>16 points for WX3, 5, 7: Analog input<br>CH1, 3, 5, 7 (WX3) <sup>*6*7</sup><br>Output 32 points (reserved.)   |

- \*1 The measurement range available for degree Celsius is not available for degree Fahrenheit, of which the upper-limit measurement is set lower than degree Celsius, since the digital value (temperature value displayed) for degree Fahrenheit is bigger than that for degree Celsius.
- \*2 When the thermocouple is broken, the digital value will become K8000 or K16000 within 70 seconds since broken. Practice in the ladder program a process for avoiding a risk, would be resulting from a broken thermocouple, and exchange the thermocouple.
- \*3 Until the conversion data will be ready after the initial startup was made, the digital value shows K8001 or K16001. Those are not a temperature data. Create a ladder program, so that they are not acquired as a temperature data.
- \*4 The settings of the Input channel selection switch.
- \*5 Conversion values for 6-time measurements (6 from the latest 8 measurements, excluding the Max. and Min.) are averaged, so that it takes time for the digital value to be displayed due to the rapid temperature change.
- \*6 The Control Unit reads the data for 2 channels per 1 scan by the Control Unit.  
Read the data using the program described in 7.2.
- \*7 This changes depending on where the Thermocouple Unit is installed. (This is when the Thermocouple Unit is installed in the 1st.)

**- Insulation outline**



## 9.2 Dimensions





## Record of changes

| Manual No.    | Date      | Description of changes   |
|---------------|-----------|--|
| ARCT1F366E    | SEPT.2002 | First edition  |
| ARCT1F366E-1  | FEB.2006  | Second edition   |
| ARCT1F366E-2  | NOV.2008  | Third edition<br>- Change in Corporate name                    |
| ARCT1F366E-3  | AUG.2011  | Fourth edition<br>- Change in Corporate name<br>- Fixed Errors |
| ARCT1F366E-4  | JUL.2013  | Fifth edition<br>- Change in Corporate name                    |
| WUME-FP0TC-06 | APR.2024  | Sixth edition<br>- Change in Corporate name                    |

---

## Panasonic Industry Co., Ltd.

1006, Oaza Kadoma, Kadoma-shi, Osaka 571-8506, Japan  
<https://industry.panasonic.com/>

Please visit our website for inquiries and about our sales network.

©Panasonic Industry Co., Ltd. 2002-2024

April, 2024

WUME-FP0TC-06