



INSTRUCTION MANUAL

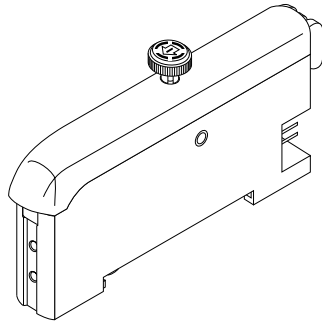
Head-turned Knob Attached Cover for
Manual-setting Fiber Sensor **FX-311** series

FX-AJ1

Thank you very much for using SUNX products. Please read this Instruction Manual carefully and thoroughly for the correct and optimum use of this product. Kindly keep this manual in a convenient place for quick reference.

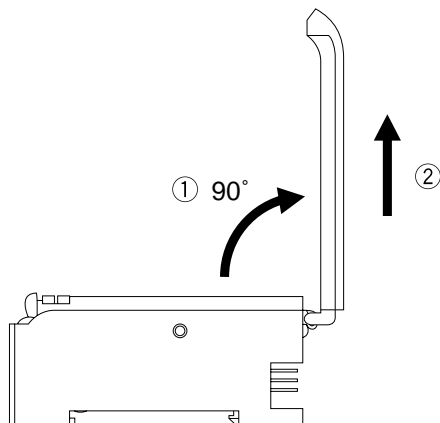
1 OUTLINE

- This product is a unit which enables sensitivity adjustment without opening its cover and using an adjusting screwdriver of the manual-setting fiber sensor **FX-311** series.

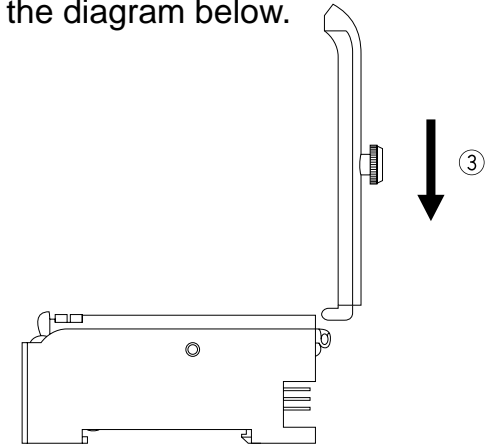


2 MOUNTING

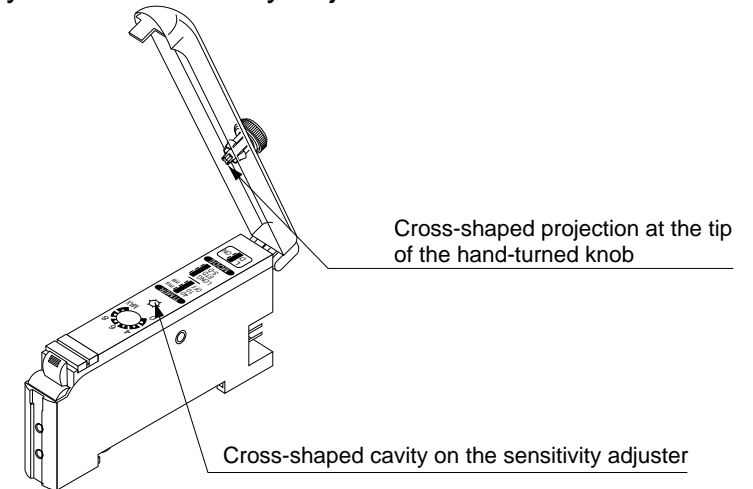
- ① Open the standard cover of the manual-setting fiber sensor **FX-311** series at angle of 90°.
- ② In condition ①, pull the standard cover upward.



- ③ Mount the hand-turned knob attached cover **FX-AJ1** from the direction given in the diagram below.



- ④ Shut the hand-turned knob attached cover.
When doing this, make sure to match the cross-shaped projection at the tip of the hand-turned knob into the cross-shaped cavity on the sensitivity adjuster of **FX-311** series.



SUNX Limited

<http://www.sunx.co.jp/>

SUNX Limited

2431-1 Ushiyama-cho, Kasugai-shi, Aichi, 486-0901, Japan

Phone: +81-(0)568-33-7211 FAX: +81-(0)568-33-2631

Overseas Sales Dept.

Phone: +81-(0)568-33-7861 FAX: +81-(0)568-33-8591

PRINTED IN JAPAN