

INSTRUCTION MANUAL

Chemical-resistant Rectangular Head Fiber FT-Z8Y Series

Thank you very much for using SUNX products. Please read this Instruction Manual carefully and thoroughly for the correct and optimum use of this product. Kindly keep this manual in a convenient place for quick reference.



This product is not a safety sensor. Its use is not intended or designed to protect life and prevent body injury or property damage from dangerous parts of machinery. It is a normal object detection sensor.

For the mounting method to the amplifier, refer to the Instruction Manual attached to the amplifiers [FX-301(P), FX-311(P)].

1 SPECIFICATIONS

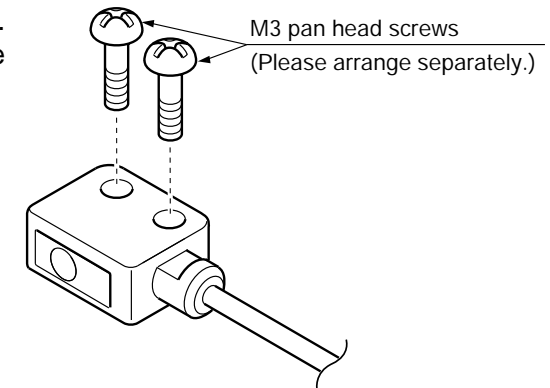
Designation		Chemical-resistant rectangular head fiber		
Item	Model No.	FT-Z802Y	FT-Z805Y	FT-Z807Y
Applicable amplifier		FX-301(P), FX-311(P)		
Sensing object		φ4mm or more opaque object		
Fiber cable length		2m free-cut	5m free-cut	7m free-cut
Allowable bending radius		R25mm or more		
Protection		IP67 (except for the cut ends of the fiber)		
Ambient temperature		0 to +60°C (No dew condensation) Storage: 0 to +60°C		
Ambient humidity		35 to 85% RH, Storage: 35 to 85% RH		
Material	Fiber cable	Fiber core: Acrylic, Sheath: Fluorine resin (PFA)		
	Fiber head	Enclosure: Fluorine resin (PFA)		
Accessories		FX-CT2 (Fiber cutter): 1 No.		

3 CAUTIONS

- Keep the fiber head surface intact. If it is scratched, the detectability will deteriorate.
- If the fiber head surface is dirty, wipe the dirt away with a moist soft cloth.
- Since a water drop on the sensing surface can affect the sensing performance, avoid using this fiber head at places where water splashes. Further, take sufficient care against dew condensation etc. on the sensing object and sensing surface.
- Note that the sensing range may be reduced up to 20% depending on the cut condition. Hence, decide the setting distance by taking sufficient margin.
- Do not apply excessive tensile force to the fiber cable.
- Bending radius of the fiber cable must be R25mm or more. If the bending radius is smaller than the specified value, the sensing performance will deteriorate.
- Ensure that any strong extraneous light is not incident on the sensing surface of the fiber head.
- The fiber cable should be cut off at the ends with the attached fiber cutter (FX-CT2) before insertion into the amplifier. Carefully cut and connect the fiber, as the sensing performance may deteriorate depending on the conditions of the cut part and/or of the connection to the amplifier.

4 MOUNTING

- Mount using M3 pan head screws. The tightening torque should be 0.3N·m or less.



SUNX Limited

<http://www.sunx.co.jp/>

Head Office

2431-1 Ushiyama-cho, Kasugai-shi, Aichi, 486-0901, Japan
Phone: +81-(0)568-33-7211 FAX: +81-(0)568-33-2631

Overseas Sales Dept.

Phone: +81-(0)568-33-7861 FAX: +81-(0)568-33-8591

PRINTED IN JAPAN