

NEW

For gas
Digital Pressure Sensor

DP-0 SERIES



DP-0 SERIES For gas Digital Pressure Sensor

Simpler and Easier to Use

● Compact & Light Weight Design

The unit body measures only 24.9 mm 0.980 in in depth to allow installation in a narrow space. The main unit weighs only about 25 g. The lightweight unit means minimal load when mounted on a moving part such as a robot arm.

● Simple & High-Quality LCD Display

The LCD offers a wide viewing angle so the display is easy to see even from an oblique angle. The alphanumeric display (12-segment display), key lock mark and OVER mark further enhance the recognition of display.

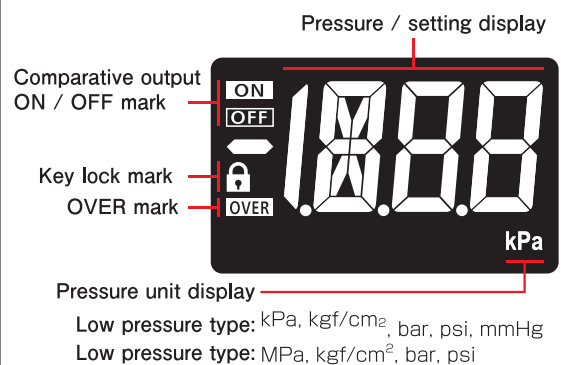
DP-0 series

Previous model (DP-100 series)



Depth dimension **41% shorter!**
Approx.

Main unit weight **38% lighter!**
Approx.



Wonderful Price !!

▶ Pressure Sensor Lineup

For gas & liquid Head-separated

Dual display digital pressure sensor

Controller **DPC-L100 SERIES**
Sensor head **DPH-L100 SERIES**



- High-precision liquid / air pressure detection and excellent operability.
- Compact stainless steel body withstands pressure of up to 50 MPa.
- Oil-less, single diaphragm structure.
- Mounted with throttle to achieve high resistance to pressure surge.

For gas Head-separated

Dual display digital pressure sensor

Controller **DPS-400 SERIES**
Sensor head **DPH-100 SERIES**



- High-precision liquid / air pressure detection and excellent operability.
- Compact stainless steel body withstands pressure of up to 50 MPa.
- Oil-less, single diaphragm structure.
- Mounted with throttle to achieve high resistance to pressure surge.

For gas Head-separated

Dual display digital pressure sensor

Controller **DPC-100 SERIES**
Sensor head **DPH-100 SERIES**



- Ultra-high response speed of 150 μ s.
- Network communication is possible.
- Allows connection of up to 16 units and copying of settings.
- Sensor head can be installed easily using an Allen wrench.
- Provided with 2 outputs

More detail, go to
watch the movie

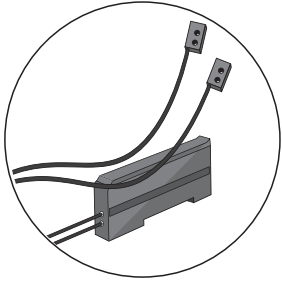


NEW

Amplifier built-in

Ultra-minute photoelectric sensor

EX-Z SERIES



How about replacing a thru-beam fiber sensor to this ?

EX-Z SERIES

1/3 price
of fiber sensors.



By replacing fiber sensors,
contribute to huge cost reduction!
Please try this by all means!

Detects 0.3mm
very small objects
Slit built-in



NO need to purchase slit separately!
0.3 mm detection (Industry-minimum)
is available without a optional slit.
Providing a solution to detect small parts!

**More detail, go to
watch the movie**



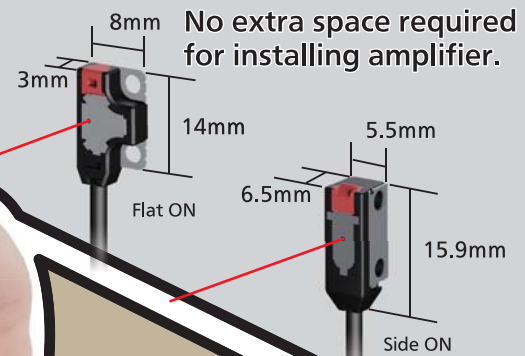
Actual size



**Amplifier built-in
world's smallest**

Same size as fiber head even with a
built-in amplifier!

Available in narrow gap where beam
sensor could not be installed.



**No detailed
setting required for
simple detection**

Complicated settings like fiber sensors
are not required .

Very simple & easy for
anyone to install / replace

