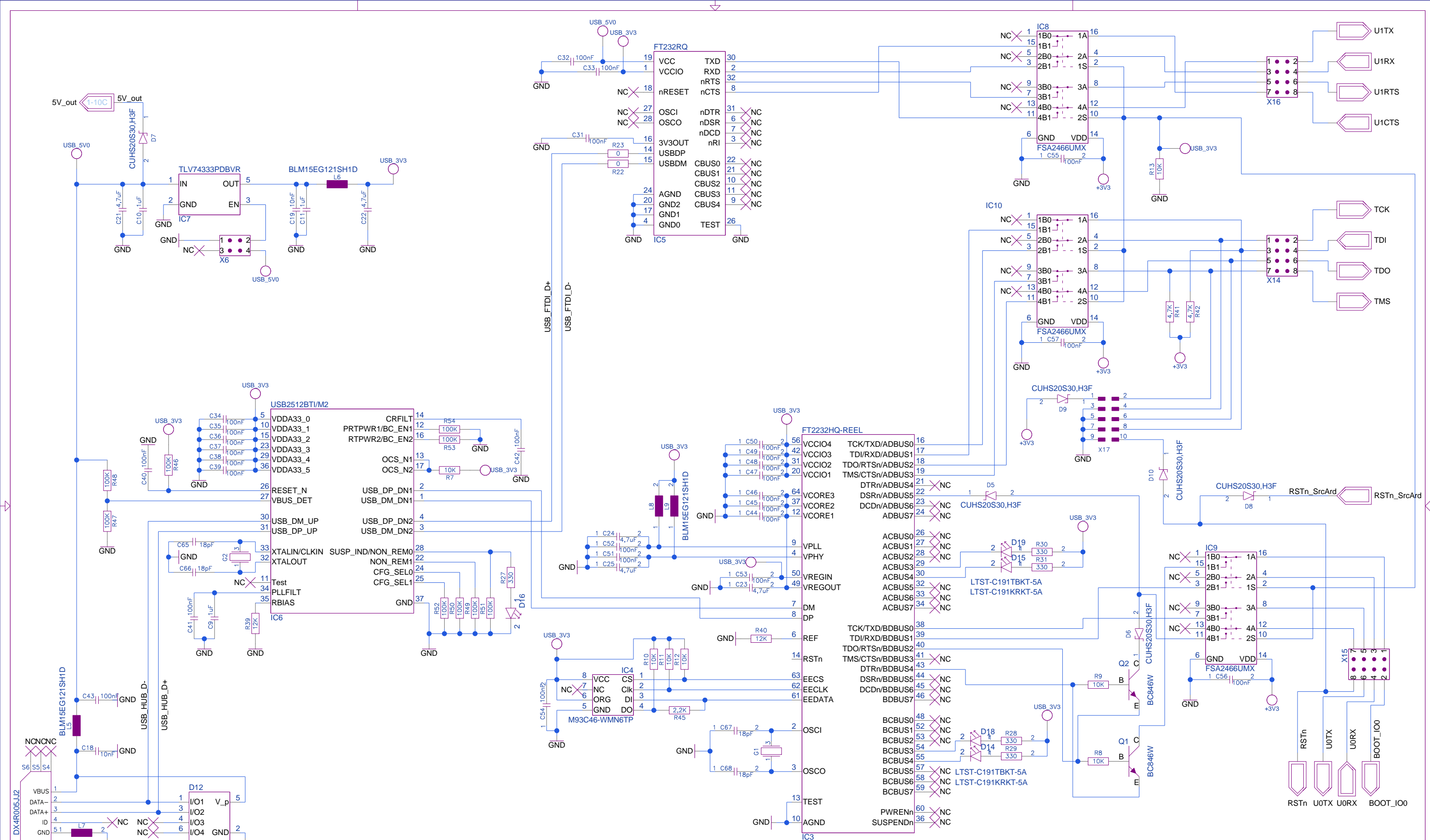


Panasonic Industrial Devices Europe GmbH

PAN9520 ETU V2.1

PROJECT		SHEET TITLE		REV
A3		ENW49D01AZKF		2.1
DRAWN BY		SHEET of		DATE
R&D WM		1 3		21/06/2021:17:27



Panasonic Industrial Devices Europe GmbH

PAN9520 ETU V2.1

PROJECT			
SIZE	PROJECT NUMBER	SHEET TITLE	REV
A3	ENW49D01AZKF	USB_Debug_Serial	2.1
DRAWN BY		SHEET of	
R&D WM		3 3	
21/06/2021:17:29			