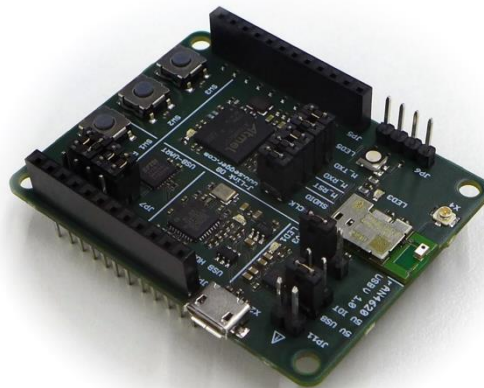


# PAN4620

IEEE<sup>®</sup> 802.15.4 and Bluetooth<sup>®</sup> Low Energy Module

Design Guide

Rev.0.1



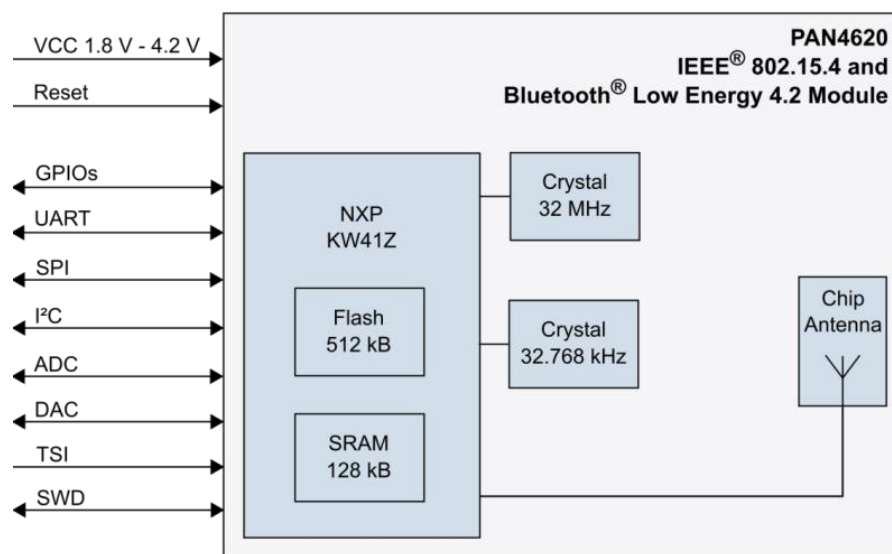
## Overview

The PAN4620 is Panasonic's Internet of Things dual mode module comprising NXP's Kinetis MKW41Z512CAT4 SoC - a 2.4 GHz 802.15.4 and Bluetooth® Low Energy wireless radio microcontroller based on an ARM® Cortex-M0+ core.

## Features

- UART, SPI, I²C, TSI, ADC & DAC
- Same form factor and compatible pinout for VCC, GND, Reset, UART, I²C, and SWD as PAN1026, PAN1760, PAN1760A, and PAN1761
- Single and concurrent operation of IEEE® 802.15.4 and BLE
- Open to various known application layers or proprietary solutions
- Surface Mount Type dimensions: 15.6 mm x 8.7 mm x 1.9 mm
- On module 32 MHz and 32 kHz crystal
- SoC: NXP® Kinetis® KW41Z – 2.4 GHz 802.15.4 and BLE 4.2 Wireless Radio Microcontroller
- Core: Up to 48 MHz 32 bit ARM® Cortex-M0+
- Memory: 512 kB of flash and 128 kB of SRAM
- Voltage range: 1.8 V to 4.2 V
- Temperature range: -40 °C to 85 °C

## Block Diagram



## Characteristics

- Transceiver frequency range 2360 MHz to 2483.5 MHz
- Programmable transmitter output power: -30 dBm to 3 dBm
- Receiver sensitivity (BLE): -93 dBm
- Receiver sensitivity typical for IEEE® Standard 802.15.4: -98 dBm
- Typical receiver current consumption (3.6 V supply): 8.5 mA
- Transmitter current consumption (3.6 V supply, 0 dBm): 7.6 mA

## Bluetooth®

- Bluetooth® LE 4.2 compliant implementation certified by BT SIG
- Supporting software consisting of BLE host stack and profiles and IPv6 6LoBLE
- Bluetooth® Developer Studio Plug-In

## IEEE® 802.15.4

- IEEE® standard 802.15.4 compliant
- Supporting software consisting of 802.15.4 MAC/PHY implementation, Simple Media Access Controller (SMAC), and NXP's certified Thread® and ZigBee® stacks are available.

By purchase of any of the products described in this document the customer accepts the document's validity and declares their agreement and understanding of its contents and recommendations. Panasonic Industrial Devices Europe GmbH (Panasonic) reserves the right to make changes as required at any time without notification. Please consult the most recently issued Design Guide before initiating or completing a design.

© Panasonic Industrial Devices Europe GmbH 2017.

This specification sheet is copyrighted. Reproduction of this document is permissible only if reproduction is without alteration and is accompanied by all associated warranties, conditions, limitations, and notices. Do not disclose it to a third party.

All rights reserved.

This Design Guide does not lodge the claim to be complete and free of mistakes.

### **Engineering Samples (ES)**

If Engineering Samples are delivered to the customer, these samples have the status "Engineering Samples". This means that the design of this product is not yet concluded. Engineering Samples may be partially or fully functional, and they may differ from the published Product Specification.

Engineering Samples are not qualified and they are not to be used for reliability testing or series production.

### **Disclaimer**

The customer acknowledges that samples may deviate from the Design Guide and may bear defects due to their status of development and the lack of qualification mentioned above.

Panasonic rejects any liability or product warranty for Engineering Samples. In particular, Panasonic disclaims liability for damages caused by:

- The use of the Engineering Sample other than for evaluation purposes, particularly the installation or integration in another product to be sold by the customer,
- Deviation or lapse in function of the Engineering Sample,
- Improper use of the Engineering Sample.

Panasonic Industrial Devices Europe GmbH disclaims any liability for consequential and incidental damages. In case of any queries regarding the Engineering Samples, please contact your local sales partner or the related product manager.

## Table of Contents

<b>1</b>	<b>About This Document</b> .....	<b>5</b>
1.1	Purpose and Audience .....	5
1.2	Revision History.....	5
1.3	Use of Symbols .....	5
1.4	Related Documents .....	5
<b>2</b>	<b>Overview</b> .....	<b>6</b>
<b>3</b>	<b>PAN4620 Module</b> .....	<b>7</b>
3.1	Block diagram.....	7
3.2	Footprint .....	7
3.3	Placement.....	8
<b>4</b>	<b>Reference Design</b> .....	<b>10</b>
4.1	Schematic.....	11
4.2	Placement Recommendations .....	13
4.3	Building Blocks .....	14
4.4	Breakout pins.....	15
4.5	Configuration Settings .....	16
4.6	PCB Layout .....	18
<b>5</b>	<b>Cautions</b> .....	<b>22</b>
5.1	Restricted Use .....	22
<b>6</b>	<b>Appendix</b> .....	<b>23</b>
6.1	Ordering Information.....	23
6.2	Contact Details .....	24

# 1 About This Document

## 1.1 Purpose and Audience




This Design Guide applies to the IEEE® 802.15.4 and Bluetooth® Low Energy development platform PAN4620 USB. The intention is to enable our customers to easily integrate our module PAN4620 in their product.

This guide describes the hardware and gives useful hints.

## 1.2 Revision History

Revision	Date	Modifications/Remarks
0.1	06.06.2018	1st version.

## 1.3 Use of Symbols

Symbol	Description
	<b>Note</b> Indicates important information for the proper use of the product. Non-observance can lead to errors.
	<b>Attention</b> Indicates important notes that, if not observed, can put the product's functionality at risk.
	<b>Tip</b> Indicates useful information designed to facilitate working with the Module.
⇒ [chapter number] [chapter title]	<b>Cross reference</b> Indicates cross references within the document. <b>Example:</b> Description of the symbols used in this document ⇒ <a href="#">1.3 Use of Symbols</a> .
✓	<b>Requirement</b> Indicates a requirement that must be met before the corresponding tasks can be completed.
→	<b>Result</b> Indicates the result of a task or the result of a series of tasks.

## 1.4 Related Documents

Please refer to the Panasonic website for more information as well as related documents  
⇒ [6.2.2 Product Information](#).

## 2 Overview

The PAN4620 USB is a development platform for the PAN4620 IEEE<sup>®</sup> 802.15.4 and Bluetooth<sup>®</sup> Low Energy module to implement Bluetooth and IEEE<sup>®</sup> 802.15.4 functionality into various electronic devices.

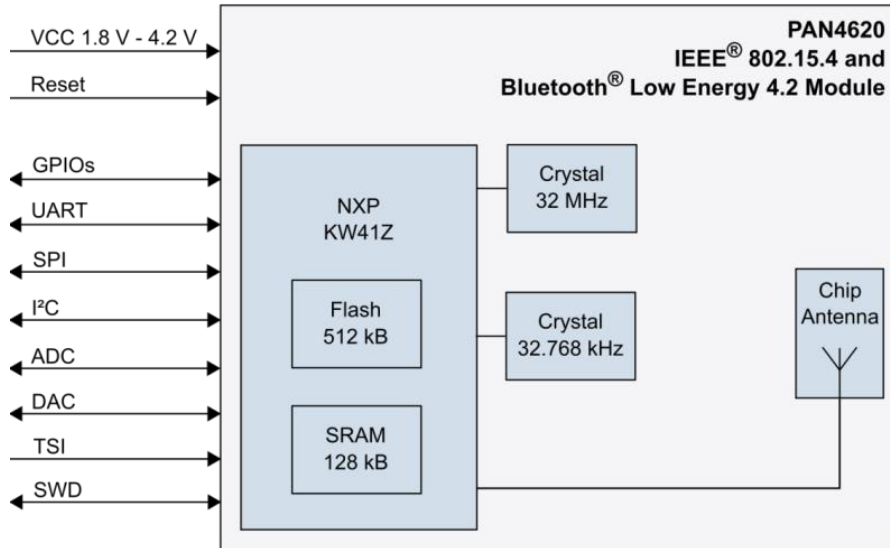
This guide describes the hardware.

Please refer to the Panasonic website for related documents ⇒ [6.2.2 Product Information](#).

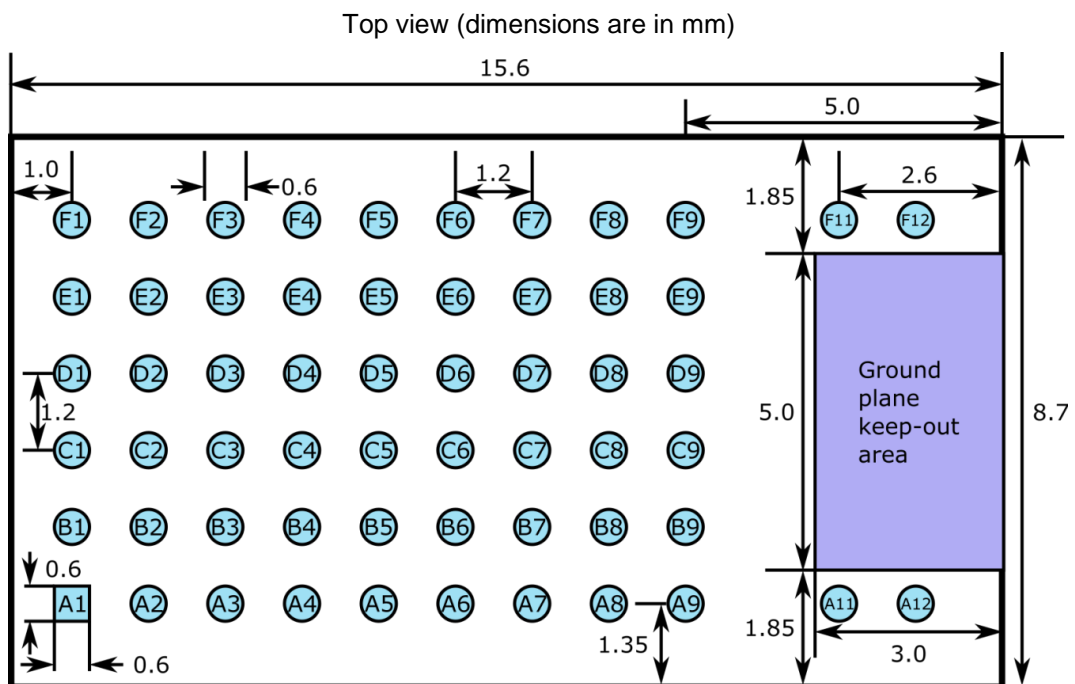
Further information on the variants and versions ⇒ [6.1 Ordering Information](#).

### 3 PAN4620 Module


#### 3.1 Block diagram



#### 3.2 Footprint



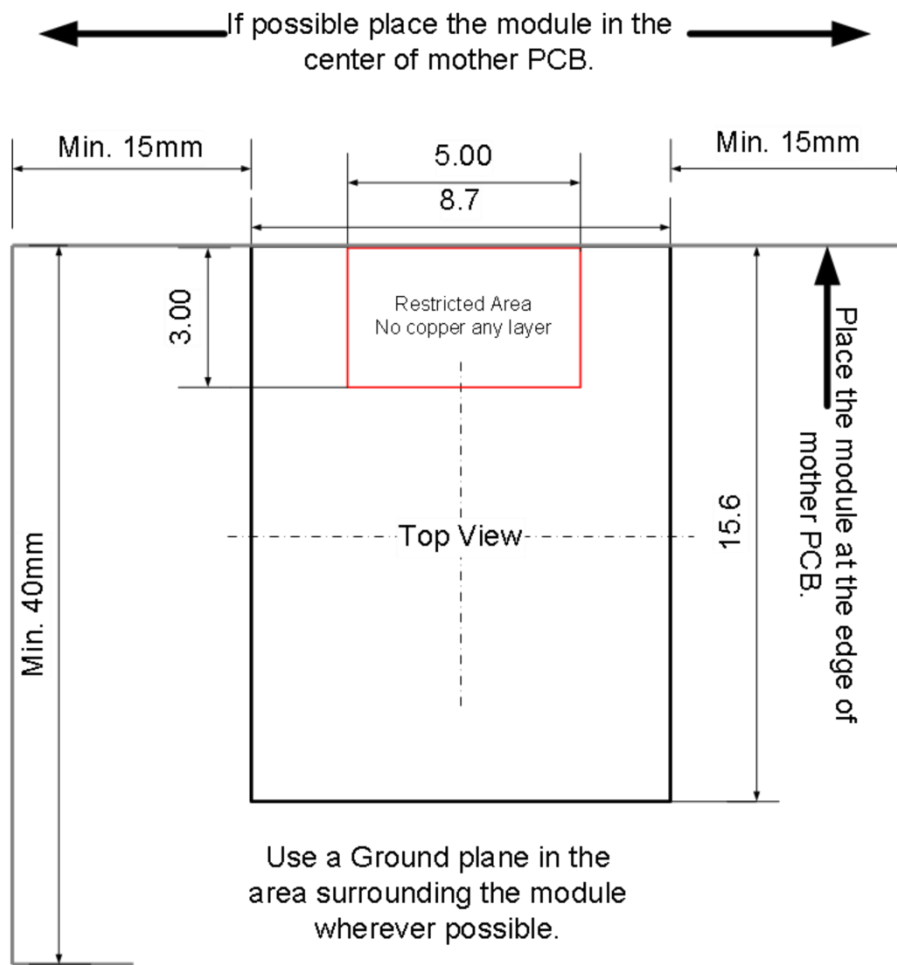
### 3.3 Placement



**Antenna Keep-out Area**

Do not place any ground plane under the marked restricted antenna area in any layer! This would be affecting the performance of the chip antenna in a critical manner.

Antenna placement recommendation for PAN4620



Dimensions are in mm.

Note: The above recommendation for the ground plane is based on a FR4 4-Layer PCB.



**Antenna Keep-out Area**

The antenna requires a cutout area of 5 mm x 3 mm under the PAN4620 module. This keep-out area shall be located in every layer under the module antenna. Note for example the keep-out area in all four layers of the PAN4620 USB Adapter.

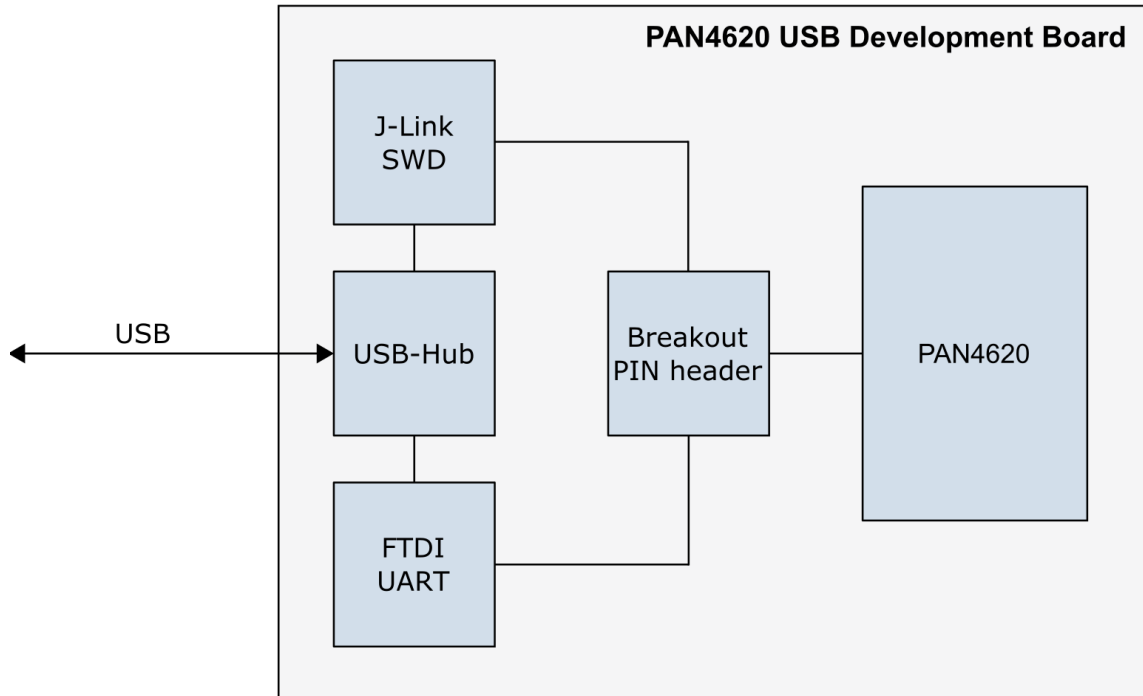
**Impact of Placement on the Antenna Radiation Pattern**

The placement of the module, surrounding material, and customer components have an impact on the radiation pattern of the antenna.

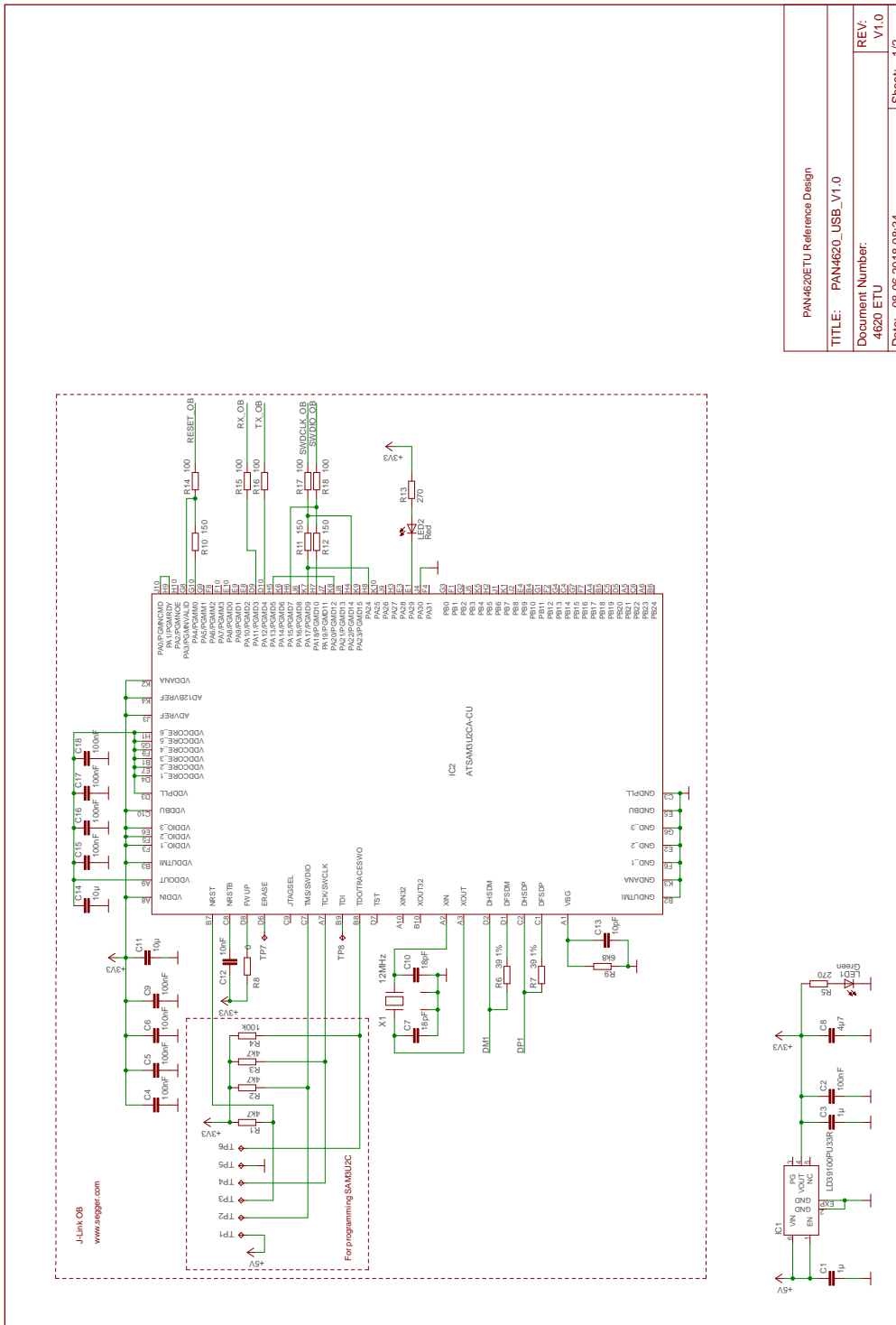
It is recommended to verify the perfect position of the module in the target application before fixing the design.

## 4 Reference Design

Block diagram:



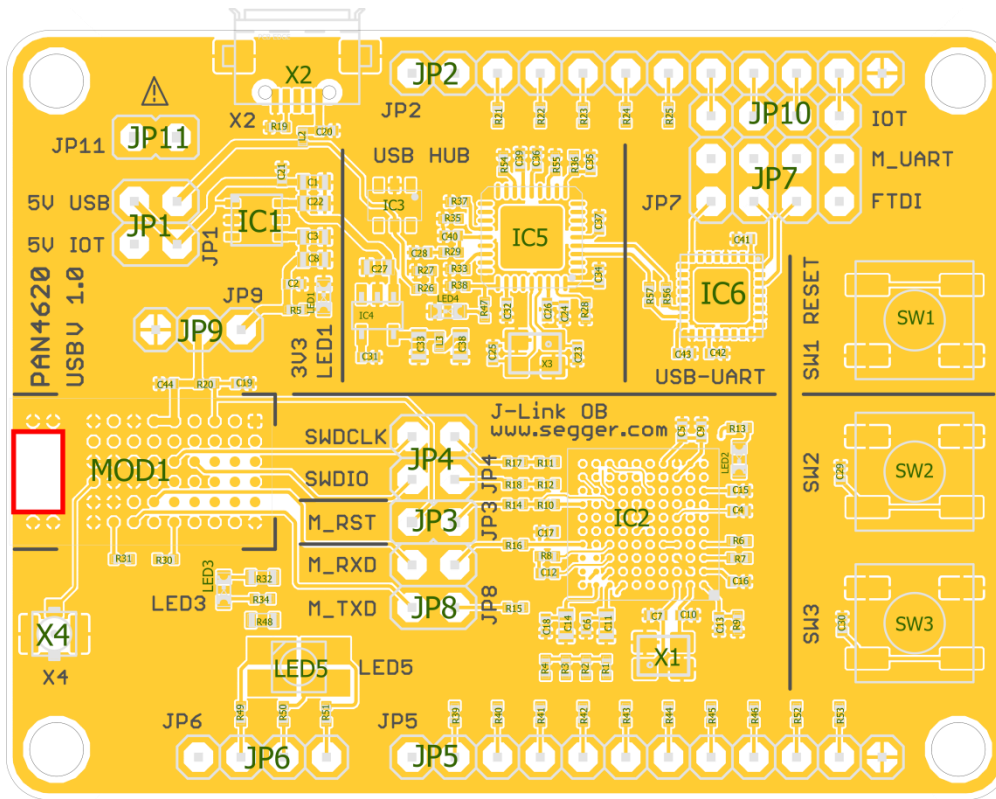
### 4.1 Schematic



PAN4620ETU Reference Design	
TITLE:	PAN4620_USB_V1.0
Document Number:	4620 ETU
REV:	V1.0
Date:	06.06.2018 08:34
Sheet:	1/2



## 4.2 Placement Recommendations



The module shall be placed as close as possible to the edge of the application.

It is important to have the keep out area below the antenna.

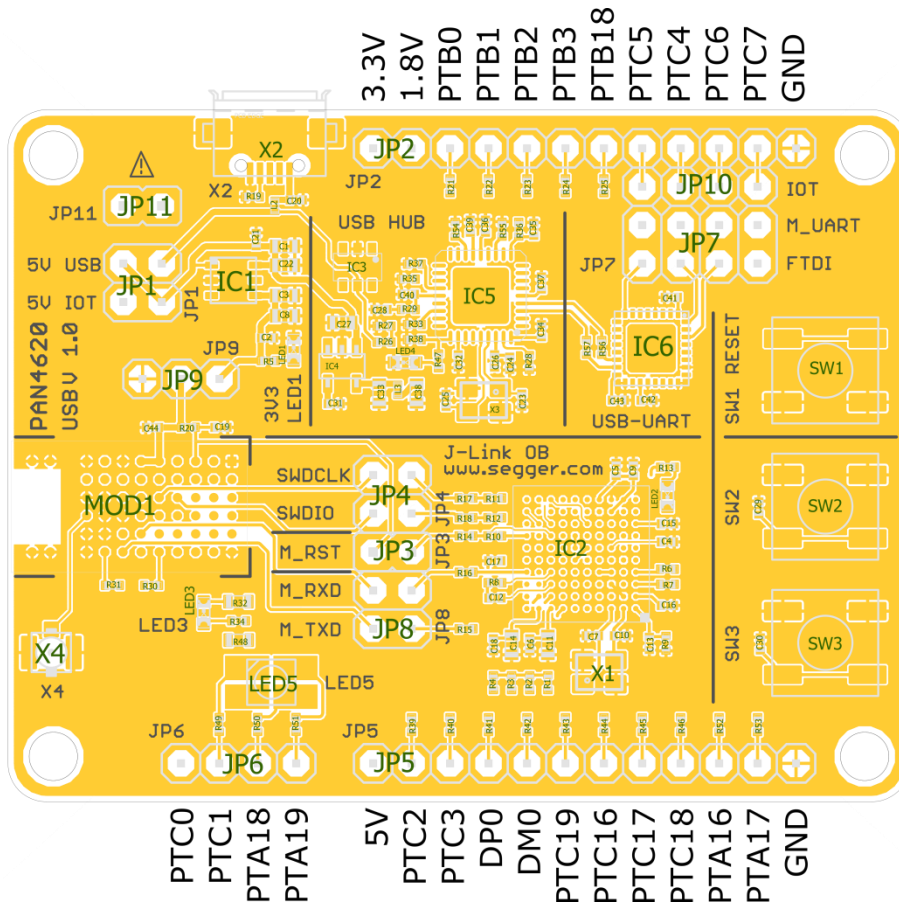
**Keep out area**

To download the design files go to the download area on the product website.

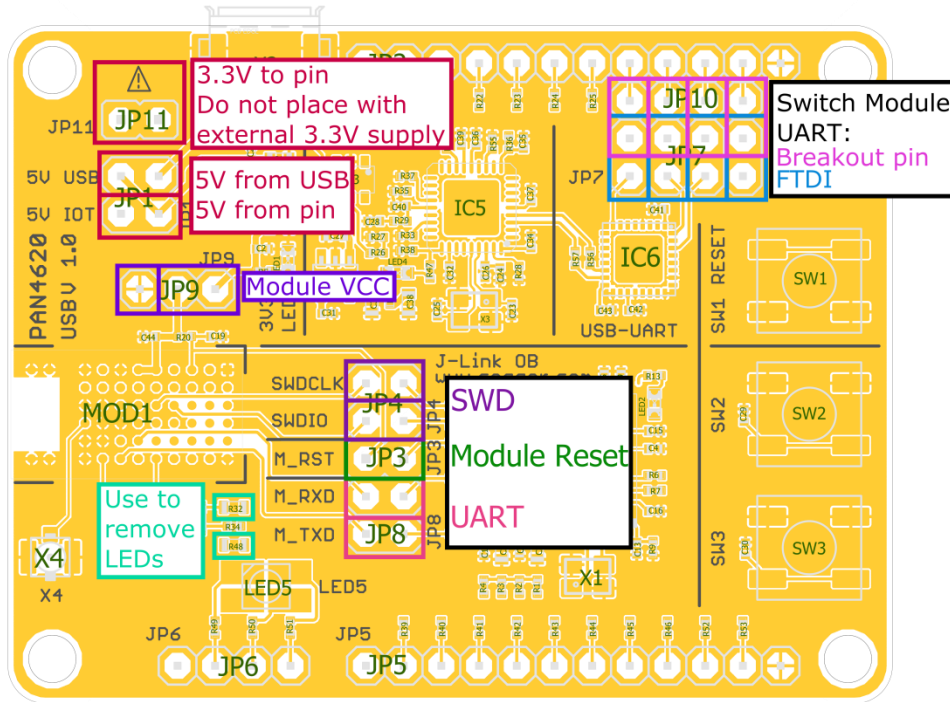
⇒ [6.2.2 Product Information.](#)

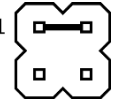

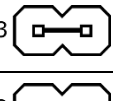

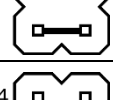
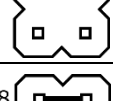



### 4.4 Breakout pins

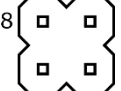

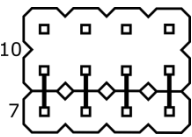







### 4.5 Configuration Settings



Jumper	Description		
J1	1 	5 V from USB connected	5 V power option, to power the board from USB or the 5 V pin. The 5 V from USB can also be used to power the sensor board.
	1 	5 V from or to breakout pin connected	
J3	3 	Module reset connected	If there is no firmware on the module, the reset will be pulled low. This has to be considered when the module is sharing a common reset with other components.
	3 	Module reset disconnected	
J4	4 	SWD connected	Access to module and programmer SWD
	4 	SWD disconnected	
J8	8 	Module UART connected	Access to module UART RX and TX.

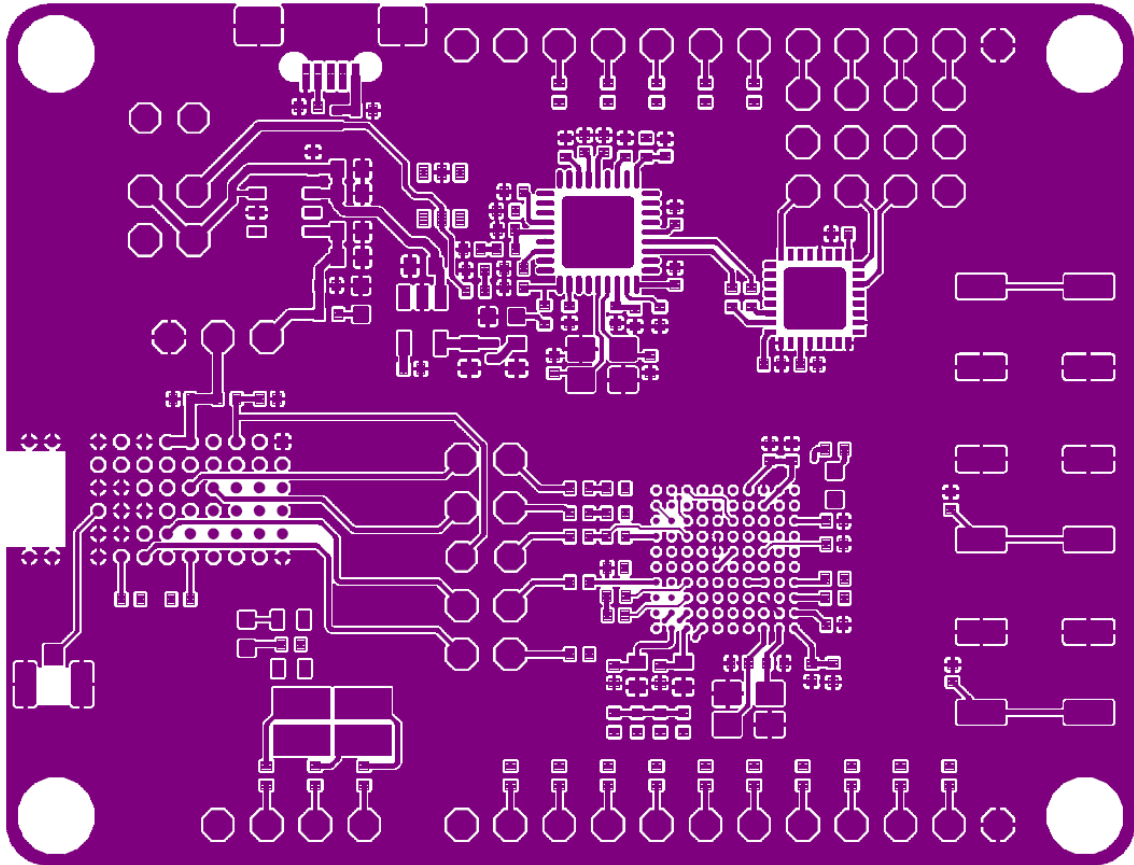


		Module UART disconnected	
J9		Module VCC connected.	Module VCC connection and GND pin. The module VCC jumper can be removed for current measurements.
J7, J10		FTDI connected to module UART.	Option for module UART to breakout pin or FTDI. Place jumpers either on J7 or J10.
		Breakout pin connected to module UART.	
J11 		3.3 V are supplied to the breakout pin.	Option to power an external sensor board sensors with 3.3 V. Do not place this jumper, if an external 3.3 V source is present.
		3.3 V are not supplied to the breakout pin.	
R32, R48	These 0 Ω resistors can be removed, to disconnect the LEDs in case the IOs PTB0, PTC1, PTA18, and PTA19 shall be used for other purposes.		
SW2, SW3	If you want to use PTC4 and PTC5 for other purposes, do not push the buttons.		

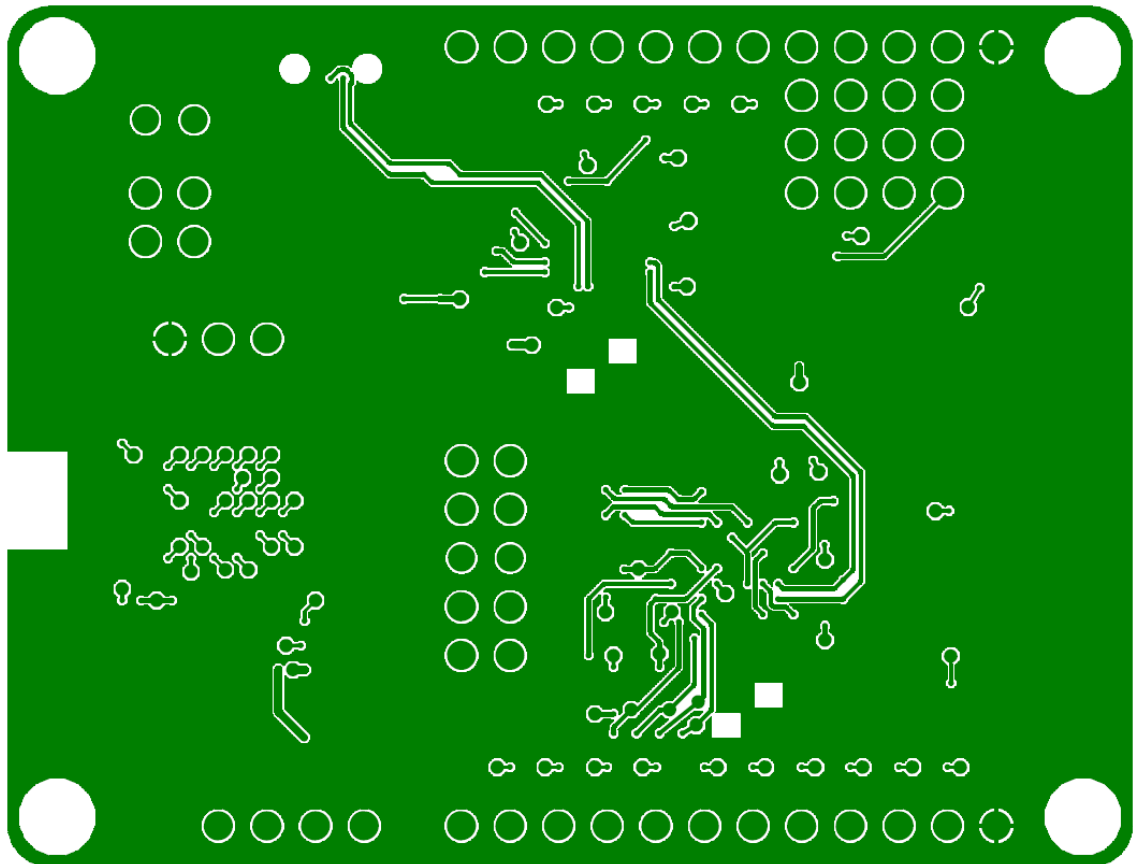
 After each different configuration the reset button needs to be pressed.

## 4.6 PCB Layout

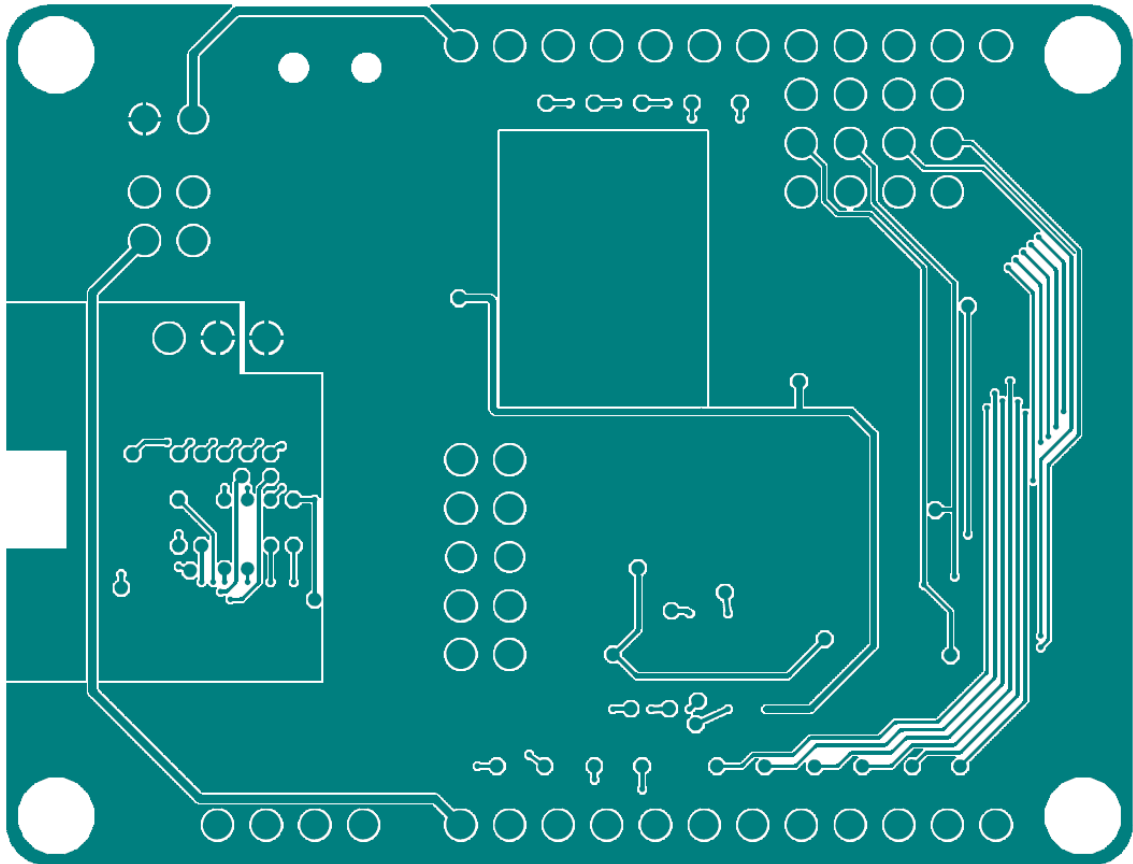
### 4.6.1 Top Layer



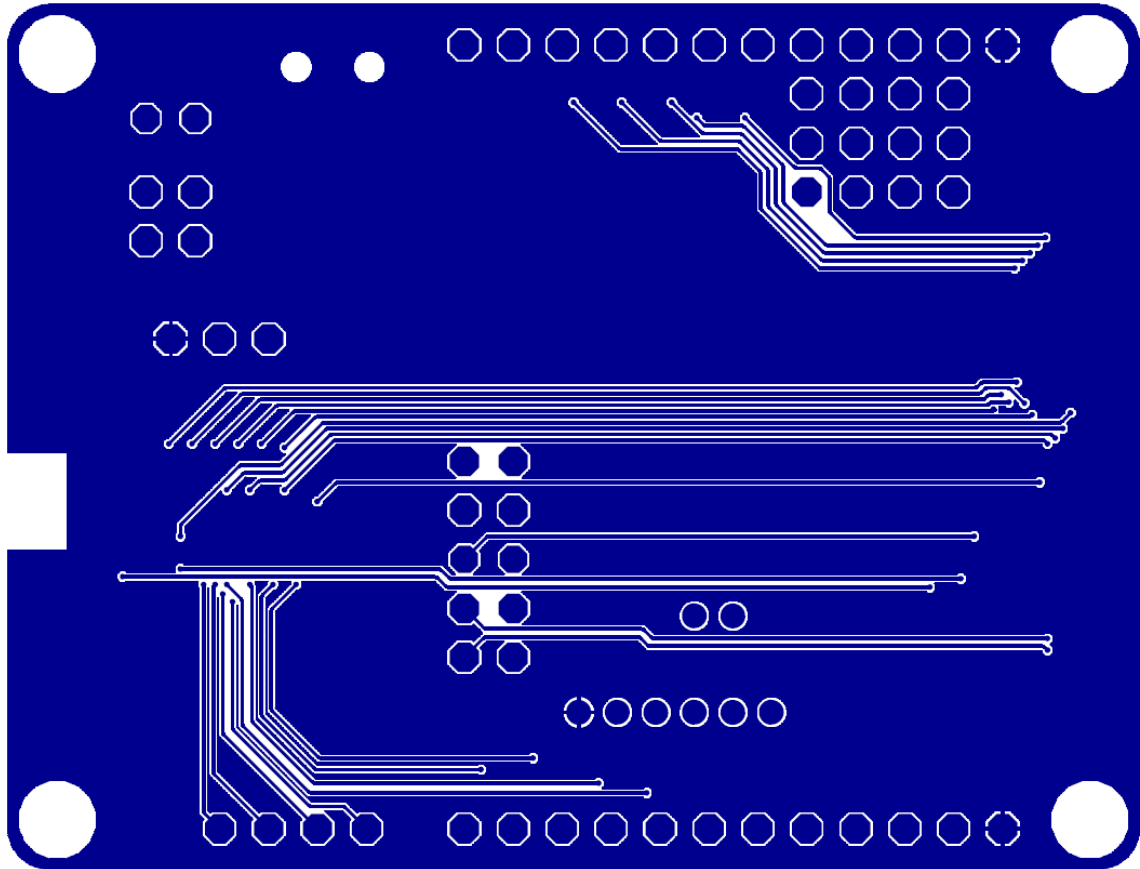
### 4.6.2 Second Layer



### 4.6.3 Third Layer



### 4.6.4 Bottom Layer



## **5 Cautions**

### **5.1 Restricted Use**

#### **5.1.1 Life Support Policy**

This Panasonic Industrial Devices Europe GmbH product is not designed for use in life support appliances, devices, or systems where malfunction can reasonably be expected to result in a significant personal injury to the user, or as a critical component in any life support device or system whose failure to perform can be reasonably expected to cause the failure of the life support device or system, or to affect its safety or effectiveness.

Panasonic customers using or selling these products for use in such applications do so at their own risk and agree to fully indemnify Panasonic Industrial Devices Europe GmbH for any damages resulting.

#### **5.1.2 Restricted End Use**

This Panasonic Industrial Devices Europe GmbH product is not designed for any restricted activity that supports the development, production, handling usage, maintenance, storage, inventory or proliferation of any weapons or military use.

Transfer, export, re-export, usage or reselling of this product to any destination, end-user or any end-use prohibited by the European Union, United States or any other applicable law is strictly prohibited.

## 6 Appendix

### 6.1 Ordering Information

#### Variants and Versions

Order Number	Brand Name	Description	MOQ
ENWC9B01AQEF	PAN4620-ETU	USB Evaluation Board	1
ENWC9B01A1EF	PAN4620	PAN4620 Module	1 500

## 6.2 Contact Details

### 6.2.1 Contact Us

Please contact your local Panasonic Sales office for details on additional product options and services:

For Panasonic Sales assistance in the **EU**, visit

<https://eu.industrial.panasonic.com/about-us/contact-us>

Email: [wireless@eu.panasonic.com](mailto:wireless@eu.panasonic.com)

For Panasonic Sales assistance in **North America**, visit the Panasonic Sales & Support Tool to find assistance near you at

<https://na.industrial.panasonic.com/distributors>

Please visit the **Panasonic Wireless Technical Forum** to submit a question at

<https://forum.na.industrial.panasonic.com>

### 6.2.2 Product Information

Please refer to the Panasonic Wireless Connectivity website for further information on our products and related documents:

For complete Panasonic product details in the **EU**, visit

<http://pideu.panasonic.de/products/wireless-modules.html>

For complete Panasonic product details in **North America**, visit

<http://www.panasonic.com/rfmodules>