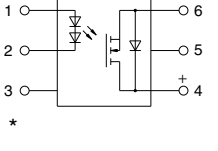
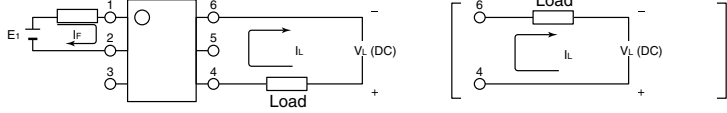
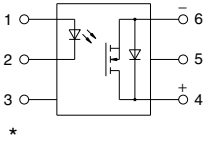
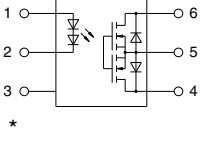
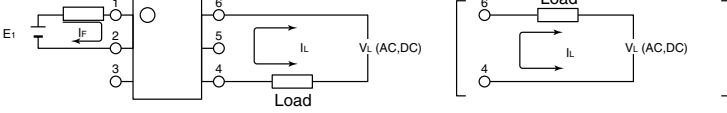
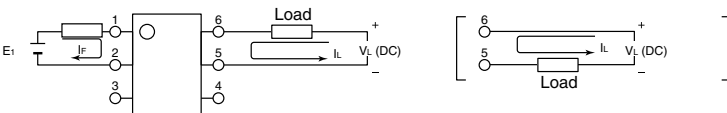
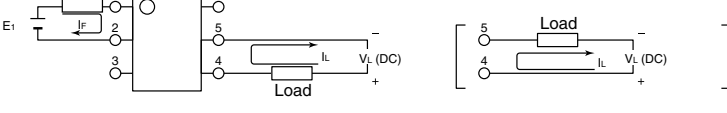
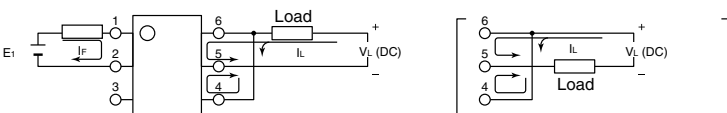
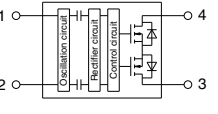
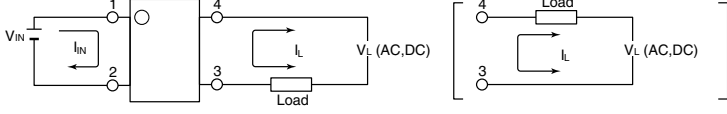
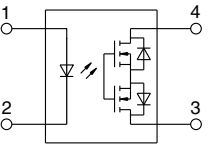
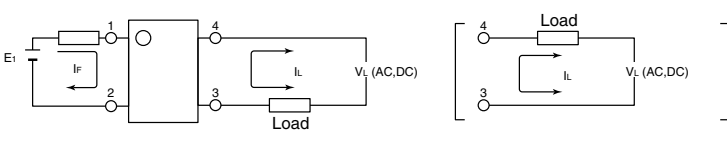


PhotoMOS[®] Schematic and Wiring Diagrams

	Schematic	Output configuration	Load type	Con-nection	Wiring diagram
AQV10(DIP) Series		1a	DC	A	
AQV11(DIP) Series					
AQV20(DIP) Series		1a	AC/DC	A	
			DC	B	 
			DC	C	
AQY2C(TSON) Series		1a	AC/DC	—	
AQY21 (DIP, SOP) AQY22 (SOP, SSOP, SON, VSSOP) AQY23(SOP) AQY27 (Power-DIP) Series		1a	AC/DC	—	

Notes: 1. E1: Power source at input side; VIN: Input voltage; IF: LED forward current; IIN: Input current; VL: Load voltage; IL: Load current; R: Current limit resistor.

2. Method of connecting the load at the output is divided into 3 types.

*Terminal 3 cannot be used, since it is in the internal circuit of the device.

PhotoMOS® Schematic and Wiring Diagrams

	Schematic	Output configuration	Load type	Con-nection	Wiring diagram
AQY22OF (SOP, SSOP) AQY21OF (SOP, SSOP) Series		1a	AC/DC	—	
AQV21 (DIP, SOP) AQV22 (DIP, SOP) AQV23(DIP)* AQV25 (DIP, SOP) Series		1a	AC/DC	A	
			DC	B	
			DC	C	
Terminal 3 cannot be used, since it is in the internal circuit of the device.					
Can be also connected as 2 Form A type. (However, the sum of the continuous load current should not exceed the absolute maximum rating.)					
AQW21 (DIP, SOP) AQW22 (DIP, SOP) AQW25(DIP) Series		2a	AC/DC	—	
AQY41 (DIP, SOP) Series		1b	AC/DC	—	

Notes: 1. E₁: Power source at input side; V_{IN}: Input voltage; I_F: LED forward current; I_{IN}: Input current; V_L: Load voltage; I_L: Load current; R: Current limit resistor.

2. Method of connecting the load at the output is divided into 3 types.

* AQV23 series in SOP is also possible. Please inquire.

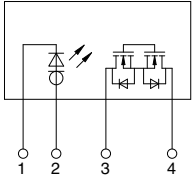
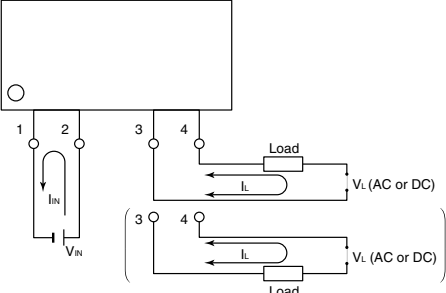
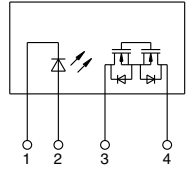
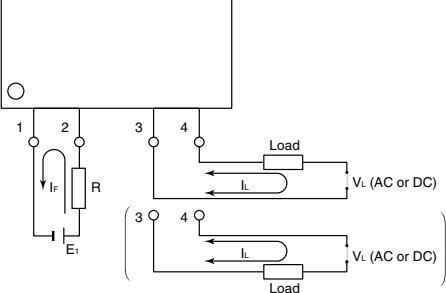
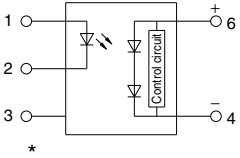
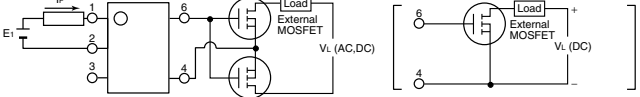
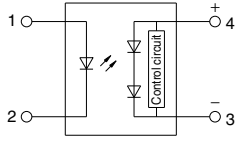
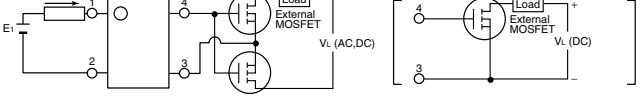
	Schematic	Output configuration	Load type	Con-nection	Wiring diagram
AQV41 (DIP, SOP) AQV45(DIP) Series		1b	AC/DC	A	
			DC	B	
			DC	C	
	Terminal 3 cannot be used, since it is in the internal circuit of the device.				Can be also connected as 2 Form B type. (However, the sum of the continuous load current should not exceed the absolute maximum rating.)
AQW61 (DIP, SOP) AQW65(DIP) Series		1a1b	AC/DC	—	(1) Two independent 1 Form A & 1 Form B use (2) 1 Form A 1 Form B use
AQW41(DIP) AQW41(SOP) AQW45(DIP) Series		2b	AC/DC	—	(1) Two independent 1 Form B use (2) 2 Form B use

Notes: 1. E₁: Power source at input side; V_{IN}: Input voltage; I_F: LED forward current; I_{IN}: Input current; V_L: Load voltage; I_L: Load current; R: Current limit resistor.
 2. Method of connecting the load at the output is divided into 3 types.

PhotoMOS® Schematic and Wiring Diagrams

	Schematic	Output configuration	Load type	Connection	Wiring diagram
AQS22(SOP) Series		4a	AC/DC	—	
AQS22○F (SOP) Series		4a	AC/DC	—	
AQZ10(SIL) AQZ19(SIL) Series		1a	DC	—	
AQZ20(SIL) Series		1a	AC/DC	—	
AQZ10○D (SIL) Series		1a	DC	—	

Notes: 1. E_i : Power source at input side; V_{IN} : Input voltage; I_F : LED forward current; I_{IN} : Input current; V_L : Load voltage; I_L : Load current; R : Current limit resistor.
 2. Method of connecting the load at the output is divided into 3 types.

	Schematic	Output configuration	Load type	Con-nection	Wiring diagram
AQZ200D (SIL) Series		1a	AC/DC	—	
AQZ40(SIL) Series		1b	AC/DC	—	
APV1122(DIP)		1a	—	—	Power MOSFET drive wiring diagram 
APV1121S APV2121S APV2111V (SOP, SSOP)		1a	—	—	Power MOSFET drive wiring diagram 

Notes: 1. E_I: Power source at input side; V_{IN}: Input voltage; I_F: LED forward current; I_{IN}: Input current; V_L: Load voltage; I_L: Load current; R: Current limit resistor.
 2. Method of connecting the load at the output is divided into 3 types.
 *Terminal 3 cannot be used, since it is in the internal circuit of the device.